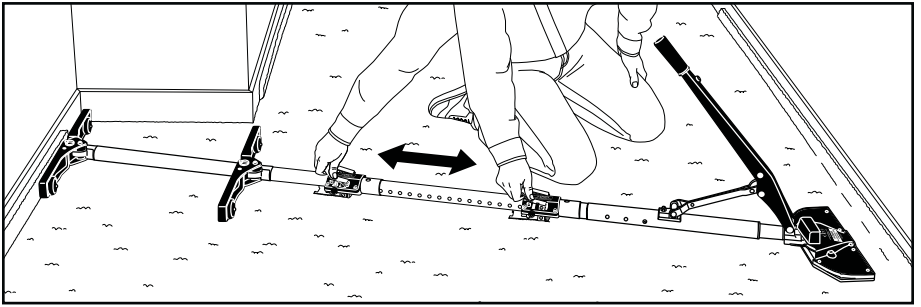
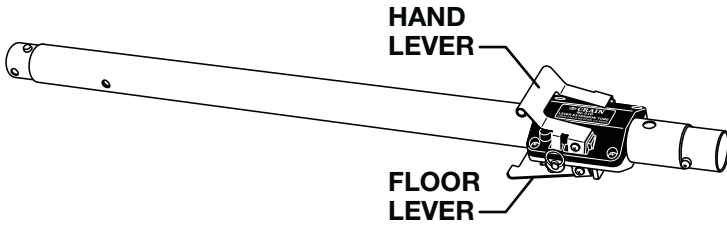
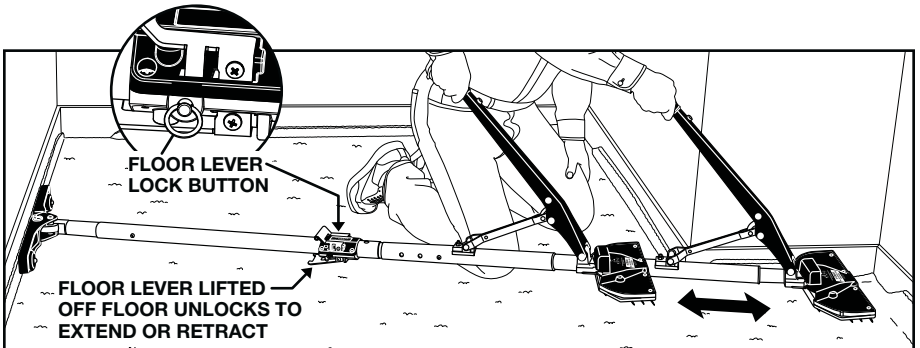




NO. 510 LEVER EXTENSION TUBE INSTRUCTIONS



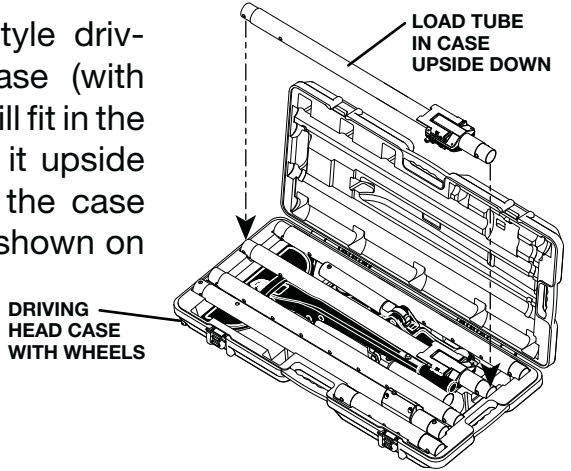
The Lever Extension Tube can be extended or retracted from the tail by raising the hand lever. The tubes will also always extend automatically if they are pushed backward.



The Lever Extension Tube can be extended or retracted by raising the floor lever off the floor. Note: the floor lever lock button must be pulled to the OUT position.

PUTTING THE LEVER EXTENSION TUBE IN THE CASE:

If you have a new style driving head carrying case (with wheels), the No. 510 will fit in the head case by turning it upside down and placing in the case in the position that is shown on the right.



HELPFUL TIPS:

The floor lever works best when used with at least one other extension tube (Crain No. 502). The floor lever also works best on tall cut pile carpet. To disable the floor lever, push the floor lever lock button to the IN position.

No. 510 LEVER EXTENSION TUBE PARTS

| Order No. | Description |
|-----------|-----------------------------|
| 1501-C | Inside Tube |
| 1501-D | Outside Tube |
| 1501-G | Spring Set (2) |
| 1510-10 | Bottom Housing |
| 1510-11 | Top Housing |
| 1510-12 | Floor Lever |
| 1510-13 | Hand Lever |
| 1510-14 | Teeter Set (2) |
| 1510-15 | Lock Pin |
| 1510-16 | Plunger Set (2) |
| 1510-17 | Bushing & Screw Set (2) |
| 1510-19 | Top Lever Spring |
| 1510-20 | Bottom Lever Spring Set (2) |
| 1510-21 | Lock Pin Ring |
| 1510-22 | Ball & Spring Set |
| 1510-23 | Top Housing Screw Set (4) |

