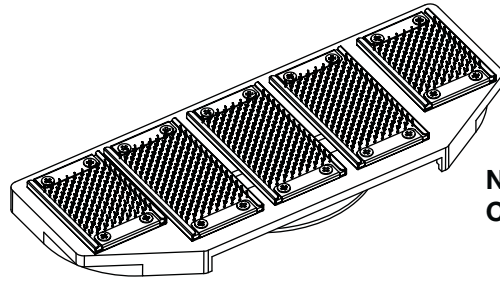




INSTALLATION INSTRUCTIONS FOR No. 520Z COTTON HEAD



No. 520Z
Cotton Head

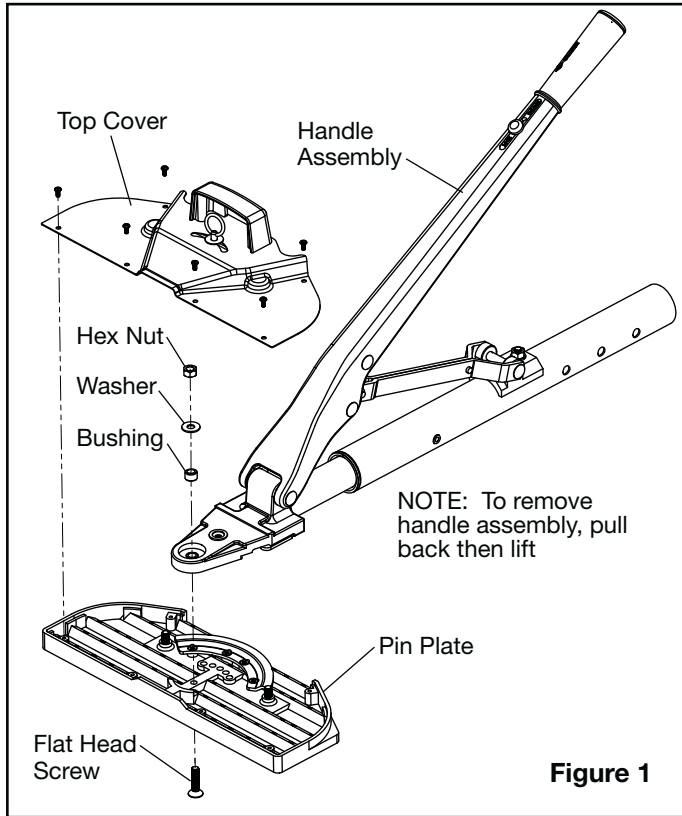


Figure 1

DISASSEMBLING PIN PLATE (Figure 1)

1. Remove top cover by removing 6 screws.
2. Unscrew and remove flat head screw.
3. Remove hex nut, washer and bushing.
4. Remove the entire handle assembly. Hold pin plate with left hand and using right hand pull back on handle assembly then lift to remove.

INSTALLING #520Z COTTON HEAD (Figure 2 & 3)

1. Remove center gripper insert from cotton head.
2. Insert handle assembly into cotton head.
3. Tighten flat head screw into tapped hole on cotton head.
4. Insert bushing & washer and retighten hex nut.
5. Place top cover on top of the cotton head and tighten with 6 screws.
6. Insert & retighten center gripper insert.

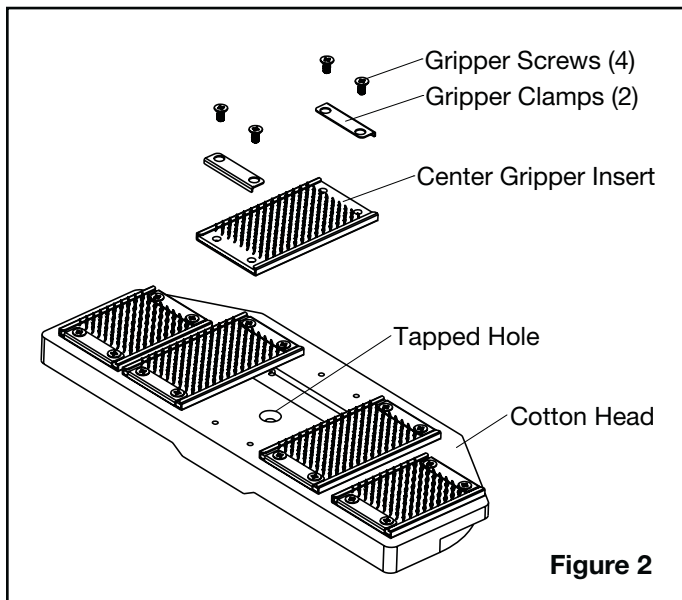


Figure 2

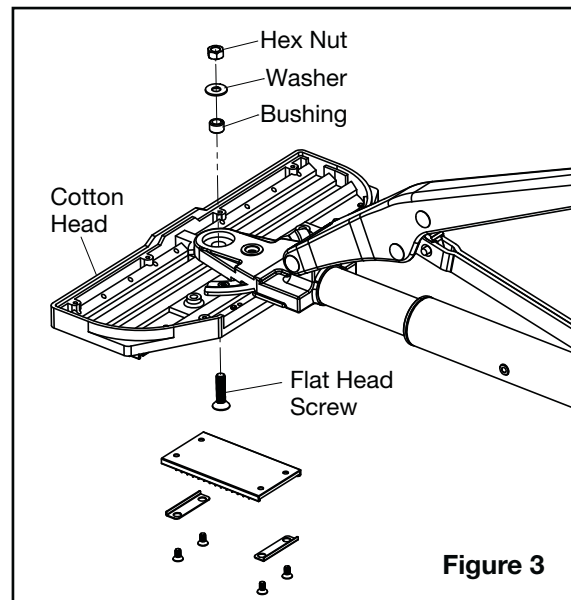


Figure 3

Rev 02/16



1155 Wrigley Way • Milpitas, CA 95035-5426 • Toll Free: (800) 538-7810 • Fax Toll Free: (800) 348-0579