

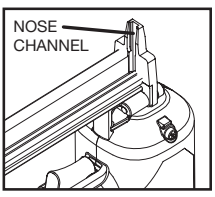
3. Insert a full row of staples into the channel (figure 2), with the staple points facing up. Using partial or "broken off" rows of staples can cause jamming of the tacker and other performance problems.
4. Close magazine assembly until the release button locks it in place.

TO OPERATE:

1. Wear safety glasses!
2. Plug into a 115 volt/15 amp outlet.
3. Move the safety lock so it is unlocked (figure 1).
4. With your hand on the hand grip, hold the nose of the tacker firmly against the material to be fastened, and place the palm of your other hand firmly on the cap, holding the tacker down.
5. Keep hands and other body parts out from under the nose of the tacker.
6. Squeeze trigger to fire.
7. Avoid using long extension cords, as they will noticeably reduce the tool's stapling power. If an extension cord must be used, use heavy-duty 3-conductor cords with minimum 16 gauge wire for a 25' cord or 14 gauge wire for 50' cord.

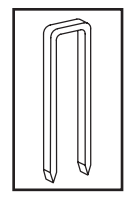
MAINTENANCE INSTRUCTIONS

1. To clear a jam, move the safety lock to the locked position (figure 1), and unplug the tacker. Turn the tacker upside-down and depress the magazine release button to unlock. Slide the magazine assembly back to expose the nose channel. Remove the cause of the jam. Close the magazine.
2. Use a clean cloth to remove dirt from the tacker. Avoid using solvents when cleaning plastic parts.
3. DO NOT lubricate. The tacker does not require oil or grease to operate.
4. In the event of a malfunction, DO NOT attempt to repair the tacker yourself. Tool service must be performed by qualified repair personnel.
5. CAUTION: DO NOT alter the tacker, attach special fixtures to the tacker, or reconfigure parts of the tacker. DO NOT fire the tacker without staples, as this may cause damage to the tacker.



STAPLE SELECTION:

The No. 635 Power Tacker uses standard Crain No. 619 Shur-Fast Staples, Duo Fast No. 5415 or No. 5418 electric tacker staples (or generic versions of these staples).



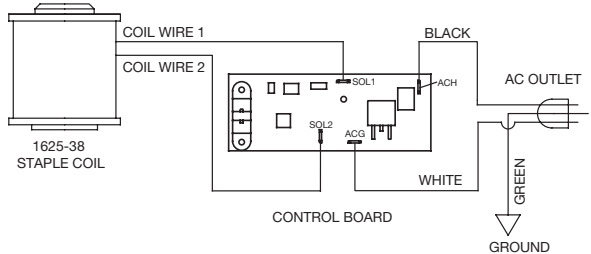
CRAIN NO. 619
9/16" LENGTH
"SHARP POINT"

**HELPFUL ACCESSORY
No. 518 STAIR CLAW
SOLD SEPARATELY:**

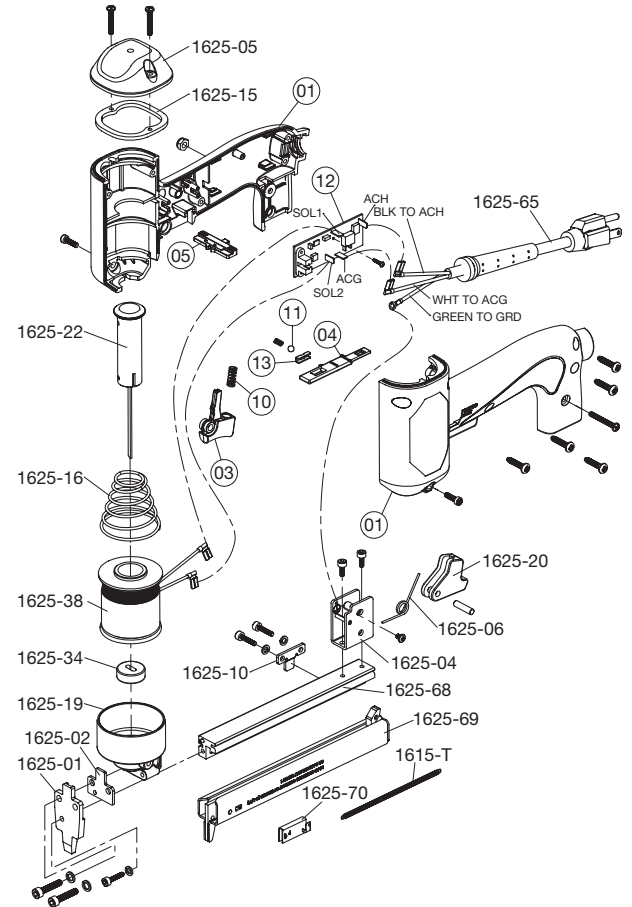
Hook the gripper teeth in the carpet just ahead of the stair nosing, then pull the leverage handle down. The teeth stretch the carpet across the stair tread, while the bottom edge tucks under the nose.



WIRING DIAGRAM



REPLACEMENT PARTS AND ORDERING INFORMATION



Order No.	Description	Order No.	Description
1635-01	Handle Set & Screws	1625-15	Retaining Ring & Screws
1635-03	Trigger	1625-16	Driver Spring
1635-04	Slider	1625-19	Coil Housing & Screws
1635-05	Trigger Lock	1625-20	Release Button
1635-10	Trigger Spring	1625-22	Driver Assembly
1635-11	Ball & Spring	1625-34	Bumper
1635-12	Control Board	1625-38	Staple Coil
1635-13	Metal Channel	1625-41	Carrying Case, not shown
1625-01	Front Guide & Screws	1625-65	Power Cord & Strain Relief
1625-02	Front Cover	1625-68	Aluminum Channel & Screws
1625-04	Rear Bracket & Screws	1625-69	Magazine
1625-05	Aluminum Cap & Screws	1625-70	Staple Pusher
1625-06	Torsion Spring	1615-T	Pusher Spring
1625-10	Stop & Screws		

INSTRUCTION MANUAL FOR



No. 635 POWER TACKER



Made in America

GUARANTEE

This Crain tool is guaranteed to be free of defects due to faulty materials or workmanship for a period of 6 months.

During this period, any parts of tools found defective subject to the guarantee will be replaced at no charge. Returns should be sent freight PREPAID, in assembled condition and with a copy of the Bill of Sale (proof of purchase) to CRAIN CUTTER COMPANY, Milpitas, CA 95035. New tools or loaners will not be given for those pending warranty repairs.

No claims shall exceed in amount the suggested sales price of the product. No other guarantee, oral or written, is expressed or implied.

CRAIN CUTTER CO., INC.

1155 WRIGLEY WAY, MILPITAS, CA 95035-5426
TEL: 408-946-6100 FAX: 408-946-4268

IMPORTANT SAFETY INSTRUCTIONS

GENERAL SAFETY RULES

WARNING! Read and understand all instructions. Failure to follow all instructions listed below may result in electric shock, fire and/or serious personal injury.

SAVE THESE INSTRUCTIONS

Work Area

Keep your work area clean and well lit. Cluttered benches and dark areas invite accidents.

Do not operate power tools in explosive atmospheres, such as in the presence of flammable liquids, gases, or dust. Power tools create sparks which may ignite the dust or fumes.

Keep bystanders, children, and visitors away while operating a power tool. Distractions can cause you to lose control.

Electrical Safety

Grounded tools must be plugged into an outlet properly installed and grounded in accordance with all codes and ordinances. Never remove the grounding prong or modify the plug in any way. Do not use any adaptor plugs. Check with a qualified electrician if you are in doubt as to whether the outlet is properly grounded. If the tools should electrically malfunction or break down, grounding provides a low resistance path to carry electricity away from the user.

Avoid body contact with grounded surfaces such as pipes, radiators, ranges and refrigerators. There is an increased risk of electric shock if your body is grounded.

Don't expose power tools to rain or wet conditions. Water entering a power tool will increase the risk of electric shock.

Do not abuse the cord. Never use the cord to carry the tool or pull the plug from an outlet. Keep cord away from heat, oil, sharp edges or moving parts. Replace damaged cords immediately. Damaged cords increase the risk of electric shock.

When operating a power tool outside, use an outdoor extension cord marked "W-A" or "W." These

cords are rated for outdoor use and reduce the risk of electric shock.

Personal Safety

Stay alert, watch what you are doing and use common sense when operating a power tool. Do not use tool while tired or under the influence of drugs, alcohol, or medication. A moment of inattention while operating power tools may result in serious personal injury.

Dress properly. Do not wear loose clothing or jewelry. Contain long hair. Keep your hair, clothing, and gloves away from moving parts. Loose clothes, jewelry, or long hair can be caught in moving parts.

Avoid accidental stapling. Be sure trigger is off and safety lock is locked (figure 1) before plugging in. Carrying tools or plugging in tools with your finger on the trigger, or with the trigger depressed, or with the safety lock unlocked (figure 1) invites accidents.

Remove any tools attached before plugging the tool into a power source. Tools left attached to moving parts of the tool may result in personal injury.

Do not overreach. Keep proper footing and balance at all times. Proper footing and balance enables better control of the tool in unexpected situations.

Use safety equipment. Always wear eye protection. Dust mask, hard hat, hearing protection, and gloves and boots that provide electrical insulation must be used for appropriate conditions.

Tool Use and Care

Use clamps or other practical way to secure and support the workpiece to a stable platform. Holding the work by hand or against your body is unstable and may lead to loss of control or accidental stapling of the hand or body.

Do not force tool. Use the correct tool for your application. The correct tool will do the job better and safer at the rate for which it is designed.

Do not use tool if trigger or safety lock malfunctions. Any tool that cannot be controlled with the trigger and safety lock is dangerous and must be repaired.

Disconnect the plug from the power source before making any adjustments, servicing, loading staples, or storing the tool. Such preventive safety measures reduce the risk of accidental stapling.

Store idle tools out of reach of children and other

untrained persons. Tools are dangerous in the hands of untrained users.

Maintain tools with care.

Check for misalignment or binding of moving parts, breakage of parts, and any other condition that may affect the tool's operation. If damaged, have the tool serviced before using. Many accidents are caused by poorly maintained tools.

Use only staples and replacement parts recommended for this tacker (see Maintenance section below). Accessories that may be suitable for one tool, may become hazardous when used on another tool.

SERVICE

Tool service must be performed only by qualified repair personnel. Service or maintenance performed by unqualified personnel could result in a risk of injury.

When servicing a tool, use only identical replacement parts. Follow instructions in the Maintenance section of this manual. Use of unauthorized parts or failure to follow Maintenance Instructions may create a risk of electric shock or injury.

ADDITIONAL SAFETY RULES:

Use this tool indoors only in dry, well lit areas. Do not use outdoors or in any wet or moist conditions which can increase risk of electric shock.

Hold tool by the hand grip which forms an insulated gripping surface when the tool or staples could contact hidden wiring or its own cord. Contacting the tool or staples with a "live" wire will make exposed metal parts of the tool "live" and shock the operator.

For proper operation, please take time to carefully read all the instructions and rules for safe operation in this booklet.

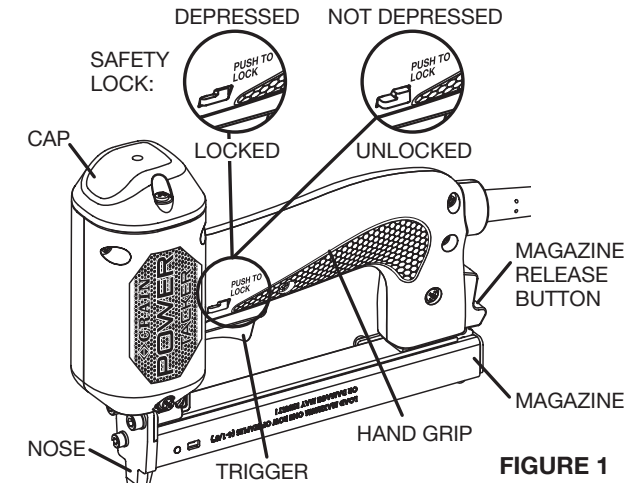
SAFETY GLASSES:

Always wear safety glasses when using this tool, especially when loading staples or clearing jams.

SAFETY LOCK:

This tool is designed with a safety lock to prevent accidental firing. Lock the safety lock (figure 1) whenever you need to plug in the tacker, load staples, clear a jam, or you need to leave the tacker unattended.

OPERATING INSTRUCTIONS



PREVENT ACCIDENTS:

NEVER point the tacker at another person. Unplug the tool when you are walking from room to room, or need to leave the tool unattended.

TRIGGER:

With each pull of the trigger (figure 1 - located under the hand grip), the tacker completes one cycle and fires one staple. Make sure your finger is not on the trigger when plugging in, or loading staples. Before pulling the trigger, place the nose directly onto the material being fastened.

SAFETY LOCK:

This tacker is equipped with a sliding safety lock, located above the trigger at the front of the hand grip, which is used to prevent accidental stapling. Be sure the safety lock is locked by depressing on the side marked "PUSH TO LOCK" (figure 1) when plugging the tacker in, loading staples, or if not in use.

TO LOAD STAPLES:

1. Make sure the tacker is unplugged and the safety lock is locked as shown in figure 1.

2. As shown in figure 2, turn the tacker upside-down, push the magazine release button, and slide the magazine backward, fully open.

