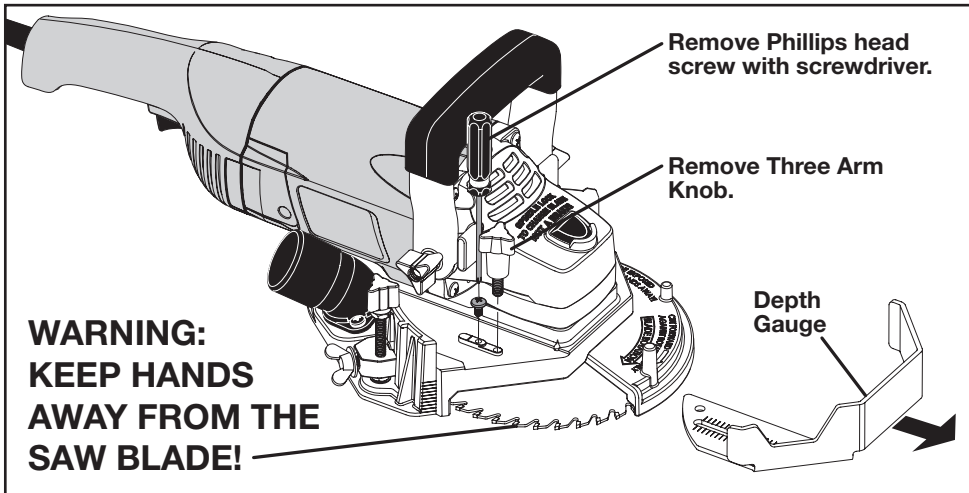


# ◀▶ **CRAIN No. 837 Dust Cover** Installation Instructions



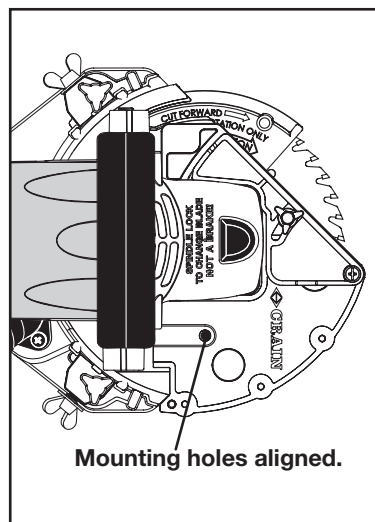
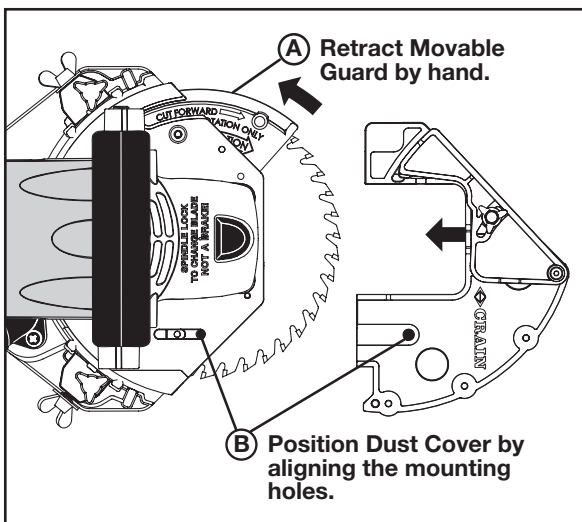
## **STEP ONE:**

**SWITCH OFF AND UNPLUG SAW! BLADE MUST NOT BE TURNING.**

**IMPORTANT:** Follow all instructions of the saw instruction manual.

Wear safety glasses when installing, using, or cleaning the Saw or Dust Cover.

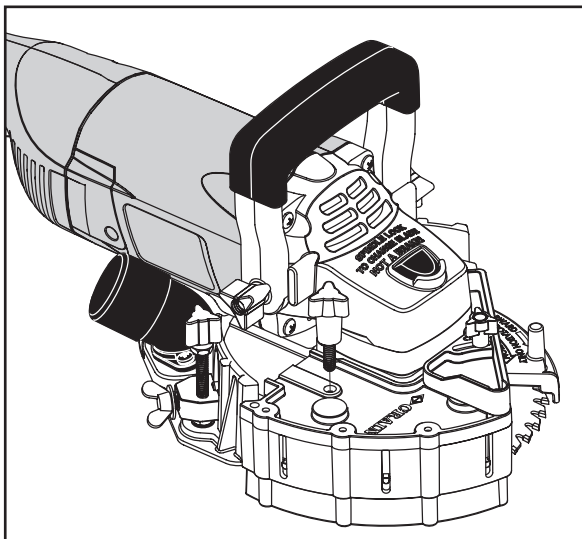
Remove depth gauge that comes with the saw. A Phillips screwdriver is needed to remove the Phillips head screw.



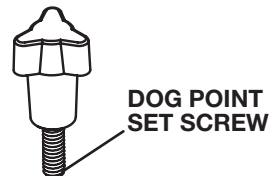
## **STEP TWO:**

**A.** Retract the Movable Guard by hand.

**B.** Place the Dust Cover on the saw so that the mounting holes are aligned.



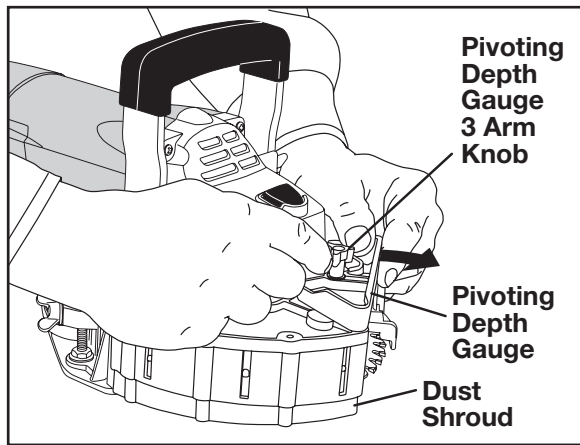
## **THREE ARM KNOB**



**USE THREE ARM KNOB PROVIDED WITH DUST COVER. DOG POINT SET SCREW IS EASIER TO INSERT.**

## **STEP THREE:**

Insert the Three Arm Knob provided with the Dust Cover at the mounting hole and tighten down.



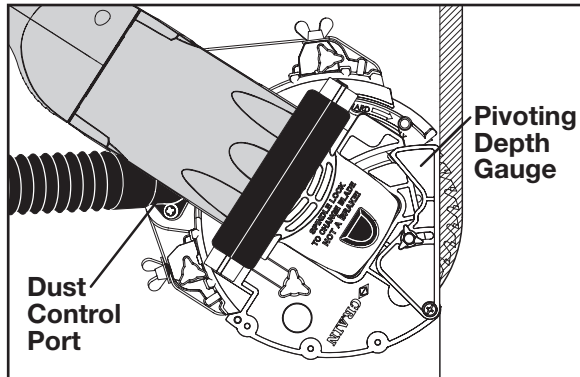
## **STEP FOUR:**

**Adjust the Pivoting Depth Gauge.**

**Loosen the Pivoting Depth Gauge 3 Arm Knob.**

**Extend the Pivoting Depth Gauge to create the desired depth of cut.**

**Pivoting Depth Gauge is adjustable from  $\frac{3}{8}$ " minimum to  $1\frac{3}{32}$ " maximum.**



## **STEP FIVE:**

**For best dust control performance Connect a dust vacuum at the Dust Control Port.**

## **USAGE INSTRUCTIONS:**

**When undercutting wood base or other trim, use the Pivoting Depth Gauge to set the depth of cut to the thickness of the wood base or other trim only. In general, undercut to the minimum necessary depth required to fit the new flooring underneath. Avoid cutting too deep into the sheetrock or wall studs.**

**The Dust Shroud is spring-loaded and follows the contour of the floor to capture as much dust as possible. If the Dust Shroud becomes jammed, so that it no longer extends, clean out using a brush or compressed air. Check that the Dust Shroud functions properly before each use.**

**To undercut inside corner areas, this Dust Cover must be removed. Replace Dust Cover after undercutting the inside corner.**

**WARNING: Dust Cover (or the Depth Gauge that comes with the saw) covers the blade and makes the saw safer to use. Always replace the Dust Cover or Depth Gauge after inside corner cutting is complete.**

### **WARNING:**

Some dust created by power sanding, sawing, grinding, drilling, and other construction activities contains chemicals known to the State of California to cause cancer, birth defects or other reproductive harm. Some examples of these chemicals are:

- lead from lead-based paints,
- crystalline silica from brick, cement and other masonry product, and
- arsenic and chromium from chemically-treated lumber.

Your risk from these exposures varies, depending on how often you do this type of work. To reduce your exposure to these chemicals: work in a well-ventilated area, and work with approved safety equipment, such as those dust masks that are specially designed to filter out microscopic particles.

**WARNING:** grinding, cutting, or drilling of stone, masonry, brick, concrete, metal, ceramic tile and other materials with silica in their composition may give off dust or mists containing crystalline silica. Silica is a basic component of sand, quartz, brick clay, granite, marble and numerous other minerals and rocks. Inhalation of airborne crystalline silica can cause serious or fatal respiratory diseases, including silicosis. Use OSHA and NIOSH approved dust monitoring, dust control, dust collection and respiratory protection equipment and methods, and follow all applicable regulations.