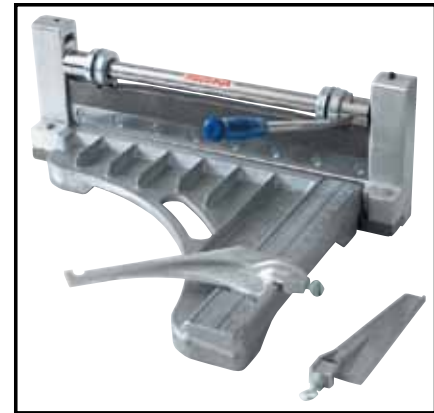
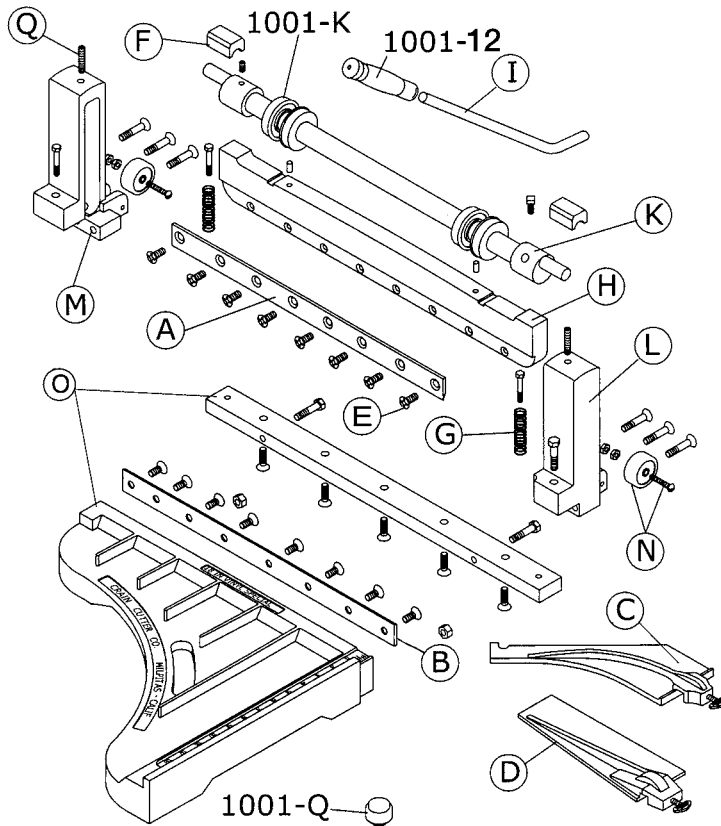


No. 008 Vinyl Special Tile Cutter



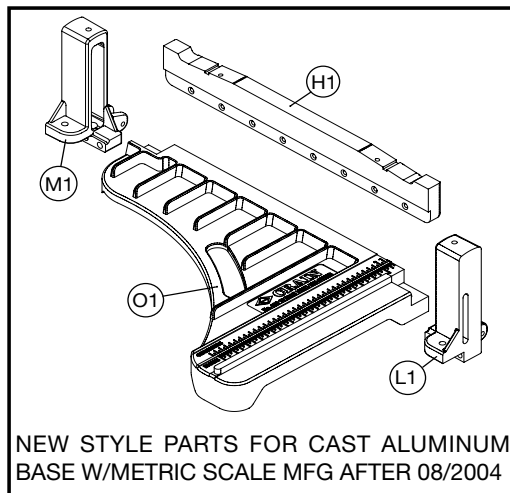
Gray "as cast" base / no paint

NO. 008 VINYL SPECIAL TILE CUTTER

Order No.	Description
1008-A	Top Blade
1008-B	Bottom Blade
1008-C	Diag. Cut Guide & Screw
1008-D	St. Cut Guide & Screw
1008-E	Upper Blade Carrier
	Screw - 1 only
1008-F	Inner Cam Bearing
1008-G	Return Spring
1008-H	OLD Blade Carrier
1008-H1	NEW Blade Carrier
1008-I	Crankshaft Handle & Grip
1008-K	Crankshaft Complete
1008-L	OLD Right Hand Standard
1008-L1	NEW Right Hand Standard
1008-M	OLD Left Hand Standard
1008-M1	NEW Left Hand Standard
1008-N	Roller Wheel & Screw
1008-O	OLD Base w/Bottom Bar
1008-O1	NEW Base w/Bottom Bar
1008-Q	Blade Height Adj. Screws w/Hex Wrench

THE FOLLOWING PARTS ARE COMMON
TO No. 001

1001-K	Crankshaft Ball Bearing
1001-Q	Ball Caster Only
1001-12	Handle Grip Only



NEW STYLE PARTS FOR CAST ALUMINUM
BASE W/METRIC SCALE MFG AFTER 08/2004