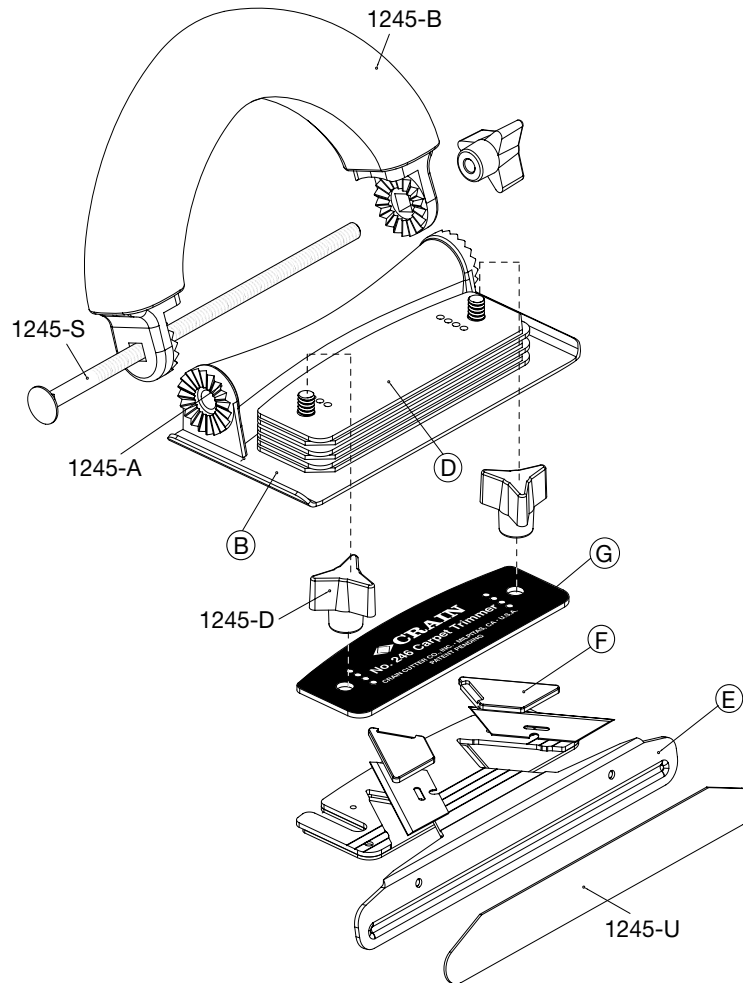


No. 246 Carpet Trimmer



NO. 246 CARPET TRIMMER

Order No.	Description
1246-B	Base with Screws
1246-D	Universal Shim Set (6)
1246-E	Wall Runner
1246-F	Blade Clamp Set (2)
1246-G	Cover Plate

PARTS COMMON WITH THE No. 245

1245-A	Mounting Bracket
1245-B	Ratchet Handle
1245-D	Three Arm Knob Set (3)
1245-S	Carriage Bolt
1245-U	Runner Pad

New style for No. 246 Trimmers produced after 10/11/04