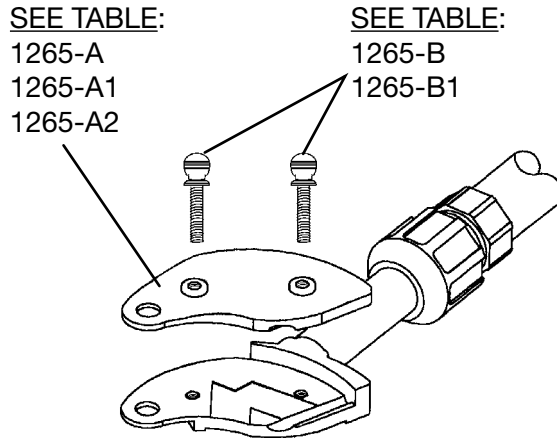


No. 265 Stand-Up Cutter



NO. 265 J.P. CUTTER / STAND-UP CUTTER

Order No.	Description
1265-A	Blade Clamp / Original J.P.
1265-A1	Blade Clamp / J.P. Type 2
1265-A2	Blade Clamp / Crain
1265-B	Screw & Wing Nut (2) / Original J.P.
1265-B1	Thumb Screws (2) / J.P. Type 2 & Crain

