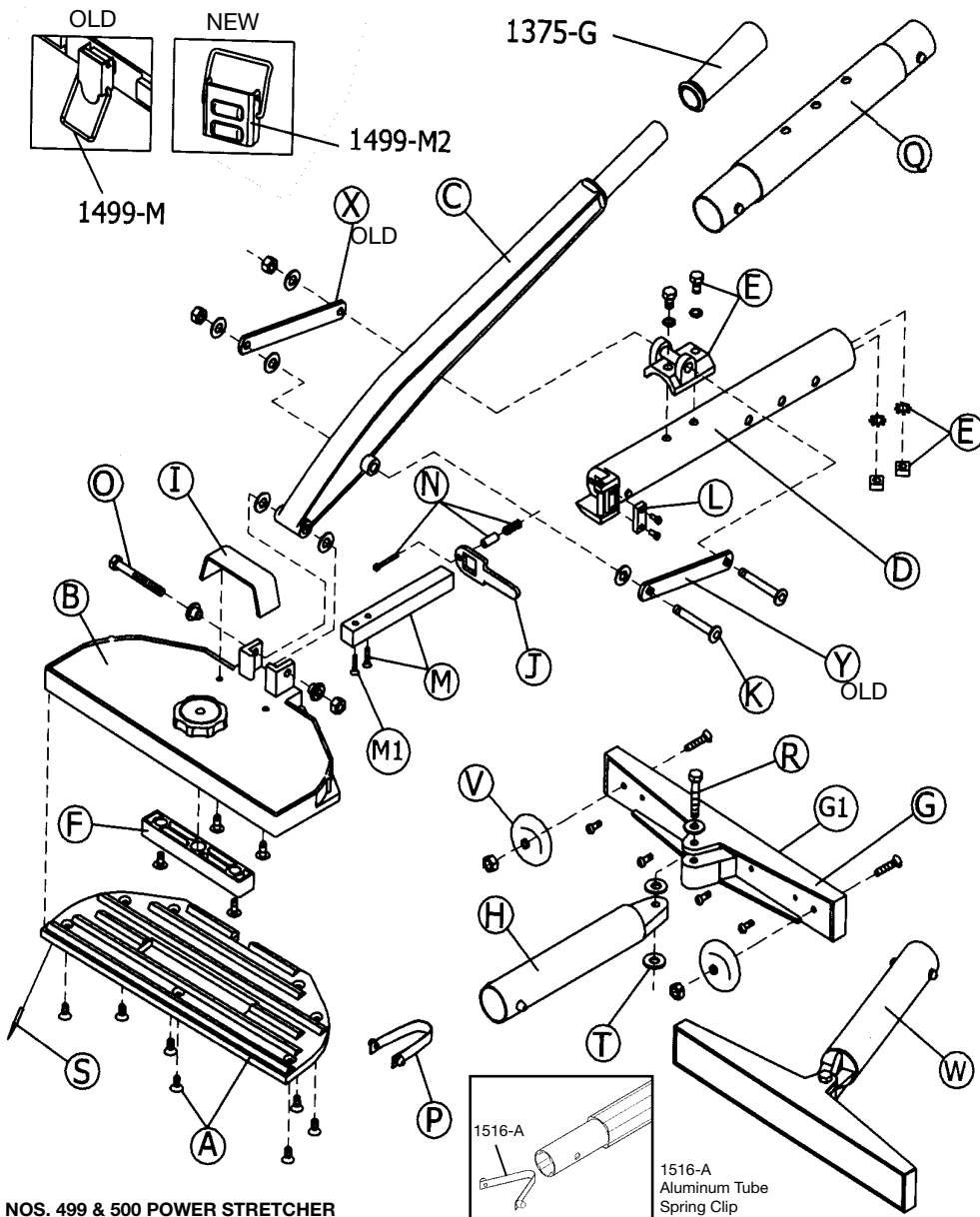


CRAIN Nos. 499 & 500 Power Stretcher - Square Bar Model

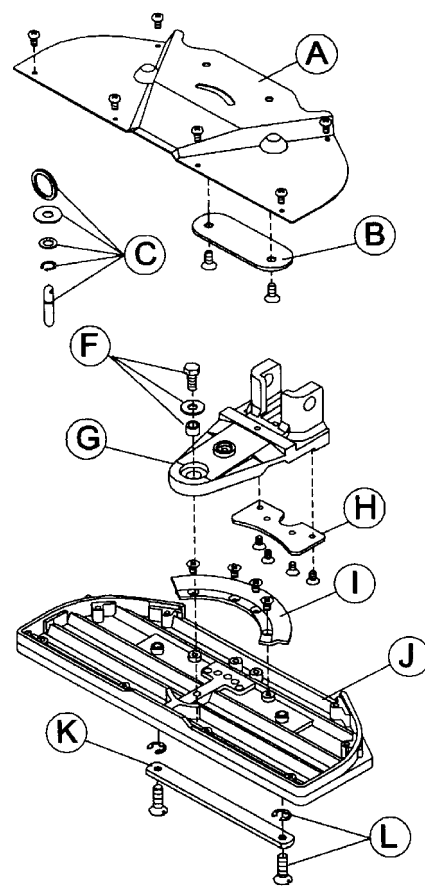


NOS. 499 & 500 POWER STRETCHER SQUARE BAR MODEL

Order No.	Description
1500-A	Pin Plate w/Screws (7)
1500-B	Head & Knob Assembly
1500-C	Handle
1500-D	OLD Tube & End Casting - Discontinued
1500-D2***	NEW Tube & End Casting (16 1/4" long) (comes with P/N 1500-E, J, N, & L)
1500-E	Saddle Casting & Fasteners (8)
1500-F	Depth Bar w/Screws (2)
1500-G	Wall Runner
1500-G1	Wall Runner Pad Only
1500-H	Pivot & Tube Assembly
1500-I**	NEW Lifting Handle & Screws (2)
1500-I2*	OLD Lifting Handle & Screws (2)
1500-J	Brake Lever
1500-K	Carriage Bolt Set (10)
1500-L	Brake Pivot & Screws (2)
1500-M	3/4" Sq. Bar w/Screws (2)
1500-M1	1/4"-20 Sq. Bar Screws Only (2) (OLD)
1500-M2	1/4"-28 Sq. Bar Screws Only (2) (NEW)
1500-N	Brake Lever Spring w/Screw (3pcs.)

Order No.	Description
1500-O	Handle Bolt Set (4 pcs.)
1500-P	Spring Clip
1500-Q	2 Piece Transfer Tube
1500-R	Wall Runner Bolt Set (2)
1500-S	Pin Plate Pins (10)
1500-T	Wall Runner Brass Washers (2)
1500-V*	Wheels Set (2) & Screws (4)
1500-W	TAIL BLOCK COMPLETE
1500-X	OLD Free Thruster
1500-Y	OLD Locked Thruster
1375-G	Handle Grip Only
1499-M	OLD Carrying Case Metal Latch Set (2)
1499-M2***	NEW Wide Metal Latch Set (2)
1500-X2***	NEW Free Thruster (9 3/8" long)
1500-Y2***	NEW Locked Thruster (9 3/8" long)
1500-Z2	Thruster Retrofit kit (includes P/N 1500-E, J, L, N, D2, X2, Y2, and Fasteners)
1516-A	Aluminum Tube Spring Clip

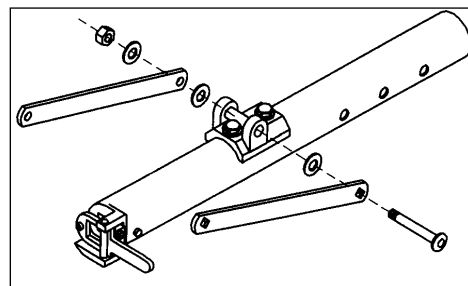
* For stretchers produced before 6/30/93
 **For stretchers produced after 6/30/93
 ***For stretchers produced after 9/30/00



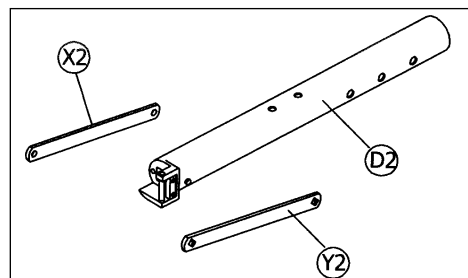
NO. 520 SWIVEL-LOCK STRETCHER SQUARE BAR MODEL

Order No.	Description
1520-A	Top Cover w/Screws (6)
1520-B	Handle Support w/ Screws (2)
1520-C	Lock Pin Assembly (5 pcs.)
1520-F	Bushing and Fasteners Set (3)
1520-G	Swivel Plate
1520-H	Swivel Support w/ Screws (4)
1520-I	Swivel Strap w/ Screws (4)
1520-J	Pin Plate
1520-K	Depth Bar
1520-L	Depth Bar Fasteners Set (4)

See the No. 500 parts list for unlisted No. 520 parts which are common to the No. 500.



1500-Z2 THRUSTER RETROFIT KIT - For stretchers produced before 9/30/2000



NEW Replacement parts for stretchers made after 9/30/2000 ONLY!

NEW STYLE PARTS TO REDUCE POWER HANDLE BINDING:

For all stretcher model Nos. 499/500/520 made prior to 9/30/2000, the problem of binding of the power handle can be reduced by purchasing part No. 1500-Z2 Thruster Retrofit Kit. The longer thrusters produce a smoother gliding force, straight through the line of the stretcher poles. DO NOT attempt to retrofit a stretcher made prior to 9/30/2000 using part Nos. 1500-X2, 1500-Y2 or 1500-D2, because many related assemblies must be factory mounted and calibrated. Part Nos. 1500-X2, 1500-Y2, and 1500-D2 should be ordered as replacement parts for stretchers made after 9/30/2000 ONLY!