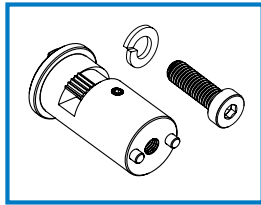
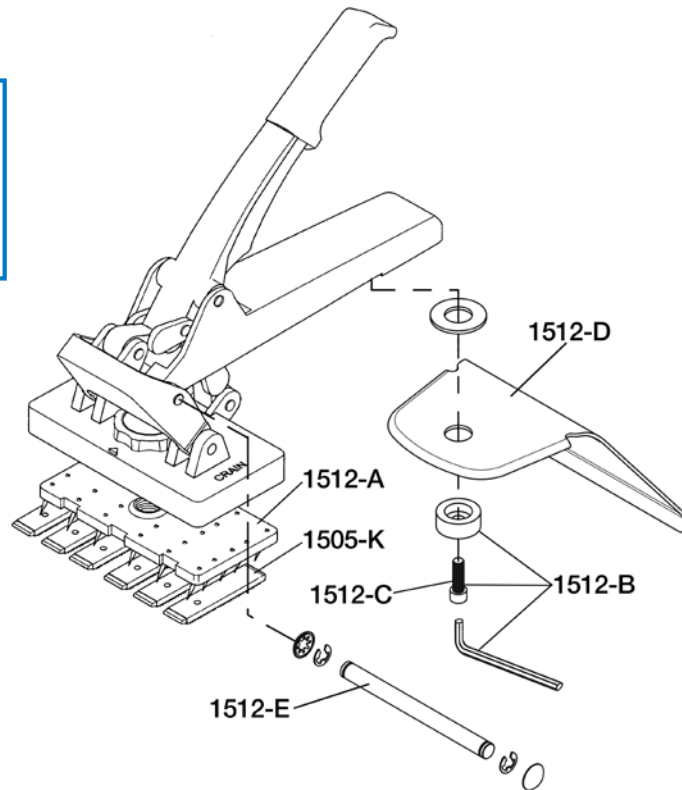


No. 512 Mini-Stretcher No. 514 Mini-Stretcher w/Seam Att.



NO. 1514-A
RATCHET FOR
NO. 514
NOTE: VARIOUS
REVISIONS -
CALL FOR
ASSISTANCE



NO. 512 MINI-STRETCHER NO. 514 MINI-STRETCHER W/SEAM ATT.

<i>Order No.</i>	<i>Description</i>
1512-A	Pin Plate
1512-B	Cup Washer, Bolt, Wrench
1512-C	Pivot Bolt Only
1512-D	Tail Blade
1512-E	Front Long Pivot Pin & Fast.
1514-A	Ratchet
1505-K	Gripper Inserts (3)