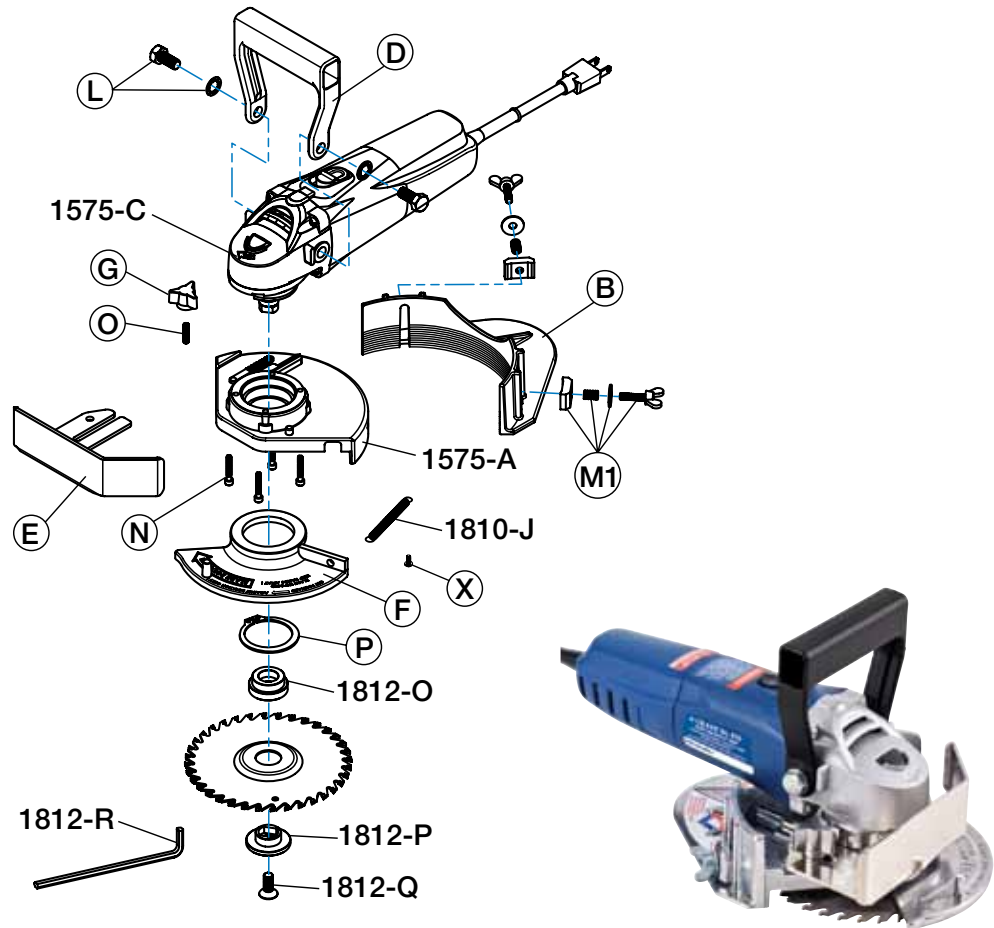


No. 575 Multi-Undercut Saw


NO. 575 MULTI-UNDERCUT SAW

Order No.	Description	Order No.	Description
1575-A	Housing	1555-N	Housing Fastener Set (4)
1575-C	Power Unit, 120 volts	1555-O	Set Screw
1575-K	Brush Set (2 - not shown)	1555-P	Snap Ring
1575-S	Brush Holder Assembly (2) (not shown)	1555-R	Carrying Case (not shown)
1575-W	Power Cord Strain Relief (not shown)	1555-V1	Marquardt Switch (not shown)
1555-B	Height Adjuster	1555-X	Return Spring Screw Only
1555-D	Plastic Handle	1555-Z	Power Cord (not shown)
1555-E	Depth Gauge	1810-J	Blade Guard Spring
1555-F	Blade Guard	1812-O	Blade Spacer
1555-G	Three-Arm Knob	1812-P	Blade Clamp
1555-L	Handle Fastener Set (4)	1812-Q	Blade Screw
1555-M1	Guide Washer & Fastener Set (8)	1812-R	Hex Wrench