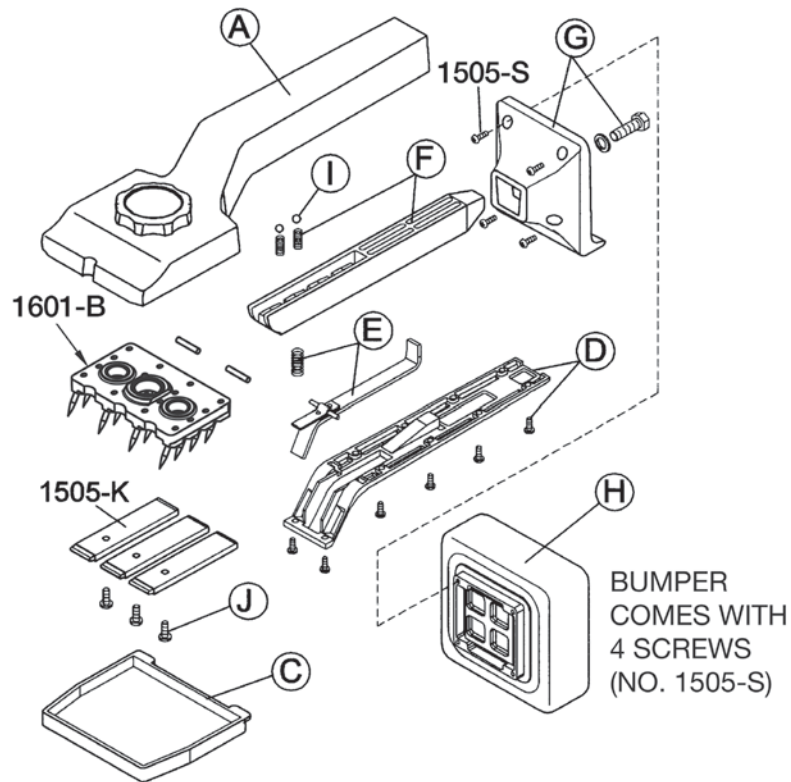


No. 612 Knee Kicker



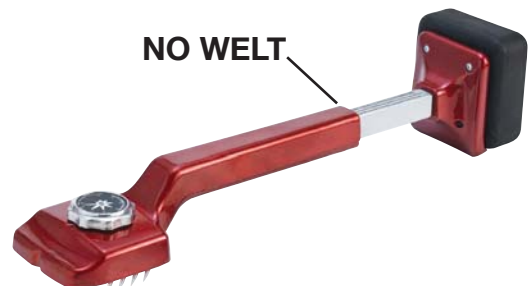
NO. 612 KNEE KICKER

Order No.	Description
1612-A	Main Body & Knob Assembly
1612-C*	Cap Cover
1612-D	Bottom Cover & Screws (10)
1612-E*	Trigger Assembly & Spring
1612-F*	Adjusting Pole, Springs, Balls, & Screw
1612-G*	Bumper Support
1612-I*	Balls & Springs Set
1612-J	Gripper Screws (3)
1505-K*	Gripper Inserts (3)
1505-S	Universal Bumper Screws (4)
1601-B	Pin Plate

REPLACEMENT BUMPER INFORMATION:

REPLACEMENT THIN BUMPER
 1612-H Bumper & Screws (4)
 REPLACEMENT THICK BUMPER
 Not Available

* Interchangeable with Roberts 412



IF YOU SEE A WELT, CHECK THE PARTS DIAGRAM FOR NO. 445