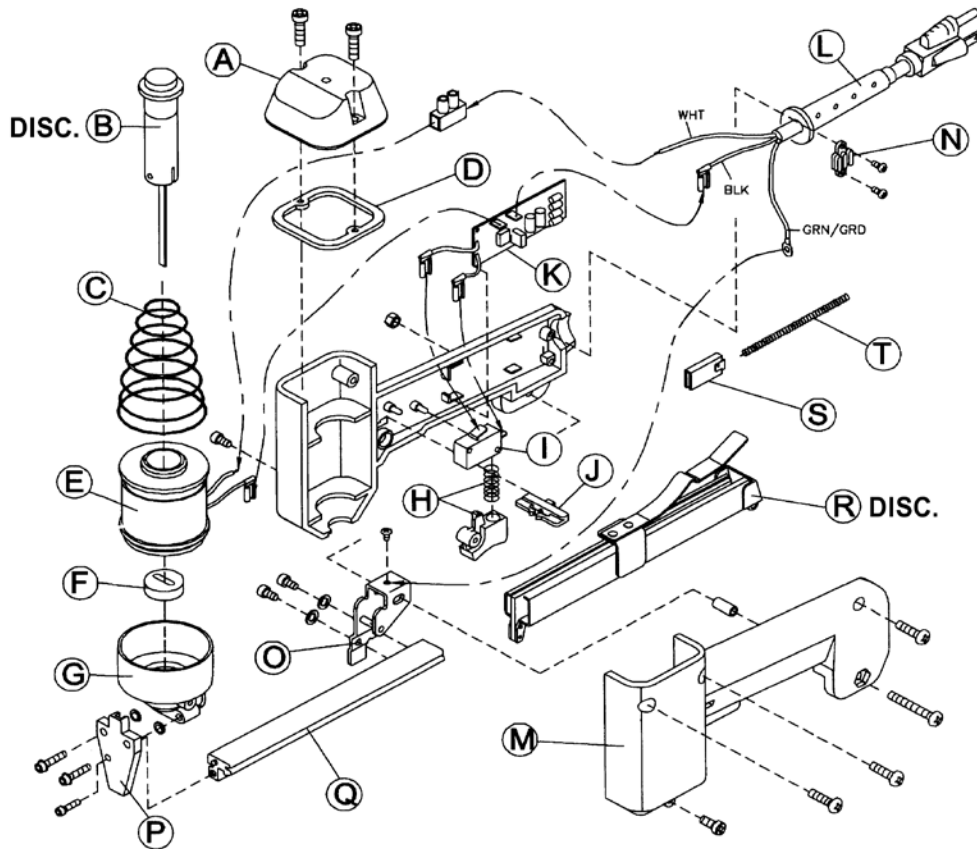


No. 615 Pro Stapler



NO. 615 PRO STAPLER

Order No.	Description
1615-A	Aluminum Cap
1615-B*	Driver Assembly (Discontinued)
1615-C*	Driver Spring
1615-D	Retainer Ring & Screws (2)
1615-E*	Staple Coil
1615-F*	Coil Buffer
1615-G	Coil Housing & Screws (4)
1615-H	Trigger & Spring
1615-I*	Micro Switch
1615-J	Trigger Lock
1615-K	Control Board
1615-L	Power Cord Set
1615-M	Handle Set & Screws (4)
1615-N	Cord Holder & Screws (2)
1615-O**	Mounting Bracket & Screw



Order No.	Description
1615-P*	Staple Driver
1615-Q**	Channel Support & Screw
1615-R**	Magazine Assembly (Discontinued)
1615-S**	Staple Pusher
1615-T*	Pusher Spring
1616-A	Case Only (Not shown)

* Same for No. 830 Pro Tacker
 ** Items are not interchangeable with No. 830.
 Please specify black or nickel plated magazine before ordering parts.