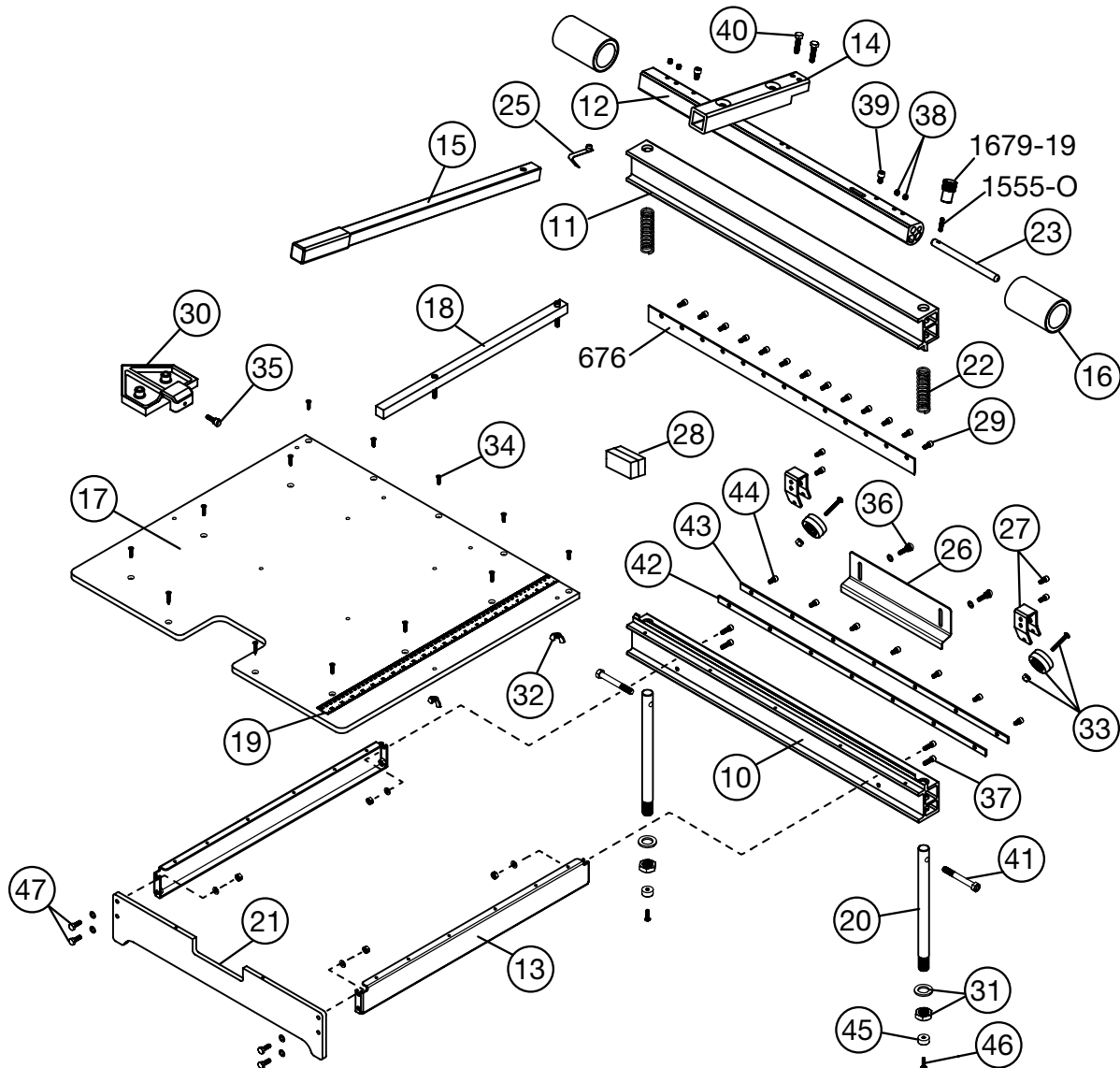


No. 675 24" Carpet Tile Cutter



NO. 675 24" CARPET TILE CUTTER

Order No. Description

1675-10	Bottom Bar	1675-22	Compression Spring Set (2)	1675-37	Bed Support Fasteners (4)
1675-11	Blade Carrier	1675-23	Safety Lock Bar	1675-38	Crankshaft Set Screws (4)
1675-12	Crankshaft	1675-25	Spring Clip	1675-39	Pressure Roller Set Screws (2)
1675-13	Bed Support (1 only)	1675-26	Floor Guide	1675-40	Connector Tube Screws (2)
1675-14	Connector Tube	1675-27	Wheel Bracket (1) & Fast. (2)	1675-41	Crankshaft Pivot Bolts (2)
1675-15	Leverage Handle	1675-28	Blade Sharpening Stone	1675-42	Blade Stop
1675-16	Pressure Roller	1675-29	Blade Screw Set (13)	1675-43	Blade Stop Cover
1675-17	Bed	1675-30	Cut Guide	1675-44	Blade Stop Screws (7)
1675-18	Fence	1675-31	Adjustment Nut & Washer	1675-45	Guide Rod Foot (1)
1675-19	Ruler Label	1675-32	Fence Wing Screw Set (2)	1675-46	Guide Rod Foot Screw (1)
1675-20	Guide Rod (1 only)	1675-33	Roller Wheel & Fasteners (2)	1675-47	Rear Stand Fasteners (6)
1675-21	Rear Stand	1675-34	Bed Fastener Set (13)	1679-19	Safety Lock Thumb Screw
		1675-35	Cut Guide Thumb Screw	1555-O	Set Screw (Safety Lock Bar)
		1675-36	Floor Guide Fastener Set (4)	676	Carpet Tile Cutter Blade