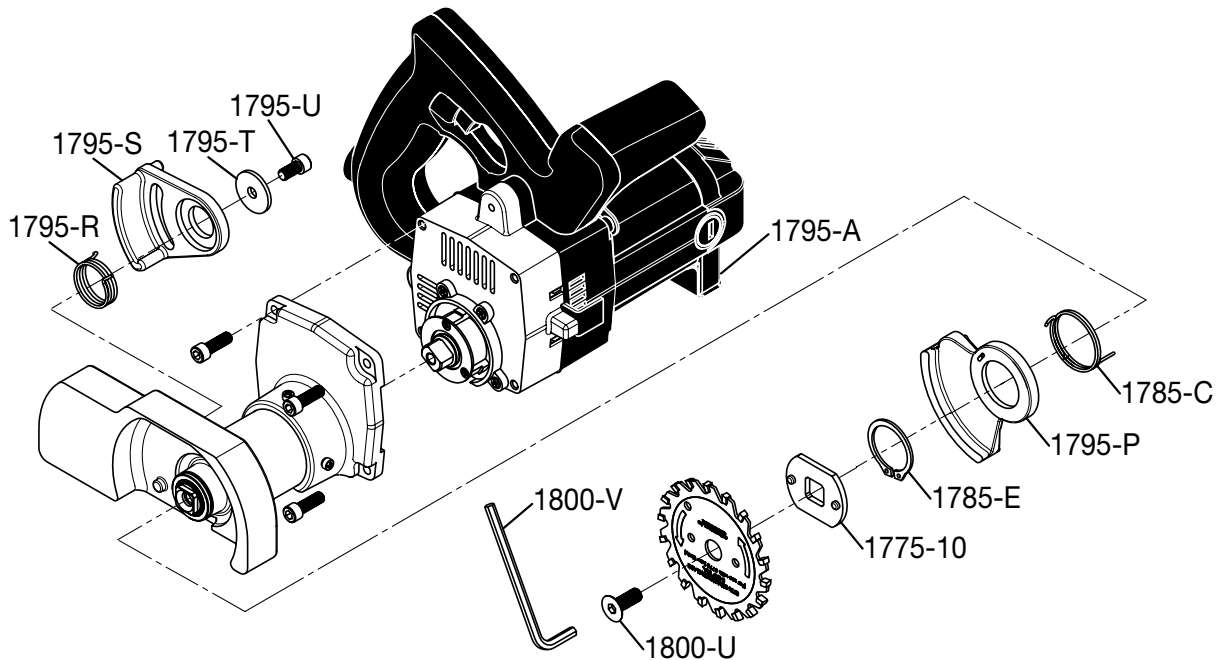


**No. 775 Toe-Kick Saw****NO. 775 TOE-KICK SAW**

<b>Order No.</b>	<b>Description</b>
1775-10	Blade Driver
1795-A	120V Power Unit
1795-G*	Carrying Case (not shown)
1795-J	Brush Set (not shown)
1795-K	Power Cord (not shown)
1795-L	Switch (not shown)
1795-N3	Spindle w/ Gear Types 3 & 4 (not shown)
1795-O3	Armature w/ Fan Types 3 & 4 (not shown)
1795-P	Primary Blade Guard
1795-R	Secondary Guard Return Spring
1795-S	Secondary Guard
1795-T	Secondary Guard Washer
1795-U	Secondary Guard Screw
PARTS IN COMMON WITH THE NO. 785	
1785-C	Return Spring
1785-E	Blade Guard Retainer Ring
1800-U	Socket Set Screw
1800-V	Allen® Wrench