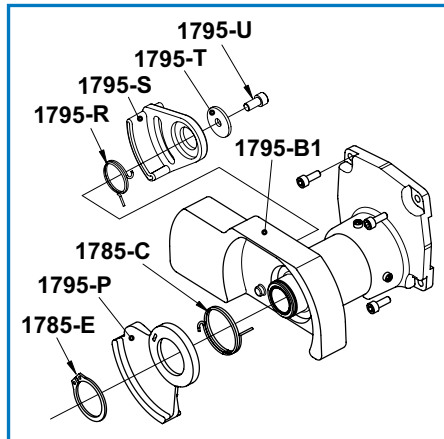
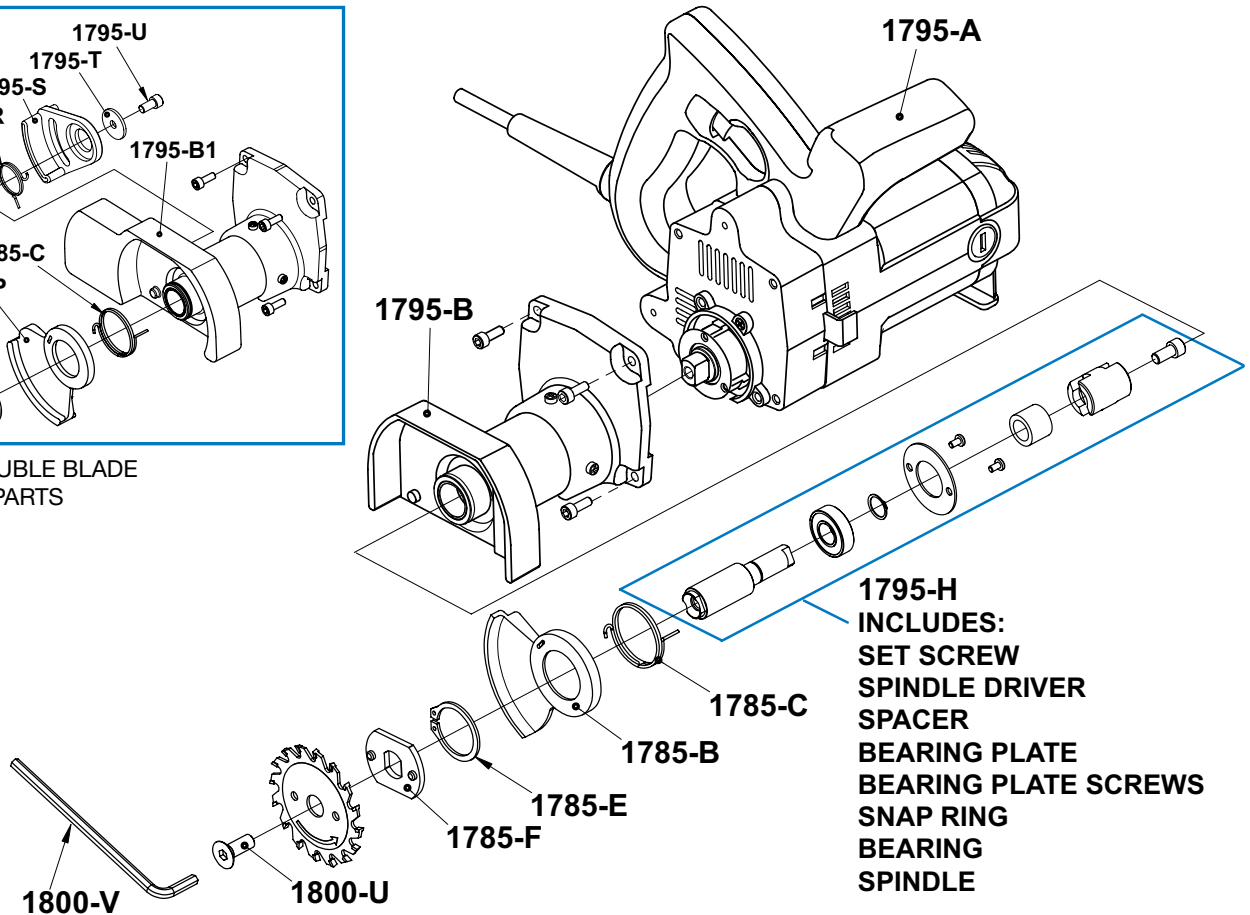


No. 795 Toe-Kick Saw



NEW DOUBLE BLADE
GUARD PARTS



**1795-H
INCLUDES:
SET SCREW
SPINDLE DRIVER
SPACER
BEARING PLATE
BEARING PLATE SCREWS
SNAP RING
BEARING
SPINDLE**

NO. 795 TOE-KICK SAW

Order No.	Description
1795-A	120V Power Unit
1795-B	Housing Complete (incl. P/N 1795-H)
1795-G*	Carrying Case (not shown)
1795-H	Spindle and Driver Assembly**
1795-J	Brush Set (not shown)
1795-K	Power Cord (not shown)
1795-L	Switch (not shown)
1795-M	Carrying Case Latch Set (2) (not shown)
1795-N3	Spindle w/ Gear Types 3 & 4 (not shown)
1795-O3	Armature w/ Fan Types 3 & 4 (not shown)
1795-V	Power Cord Strain Relief (not shown)
1795-W	Armature Bearing Set (2) (not shown)

NEW DOUBLE BLADE GUARD PARTS FOR SAWS MANUFACTURED AFTER APRIL 30TH 2007

1795-B1	Double Guard Housing Complete (incl. P/N 1795-H, but not R, S, T, U)
1795-P	Primary Blade Guard
1795-R	Secondary Guard Return Spring
1795-S	Secondary Guard
1795-T	Secondary Guard Washer
1795-U	Secondary Guard Screw
PARTS IN COMMON WITH THE NO. 785	
1785-B	Blade Guard
1785-C	Return Spring
1785-E	Blade Guard Retainer Ring
1785-F	Blade Driver
1800-U	Socket Set Screw
1800-V	Allen® Wrench

* Same for all previous models.

** Due to many revisions, it has become unfeasible to sell these parts separately.