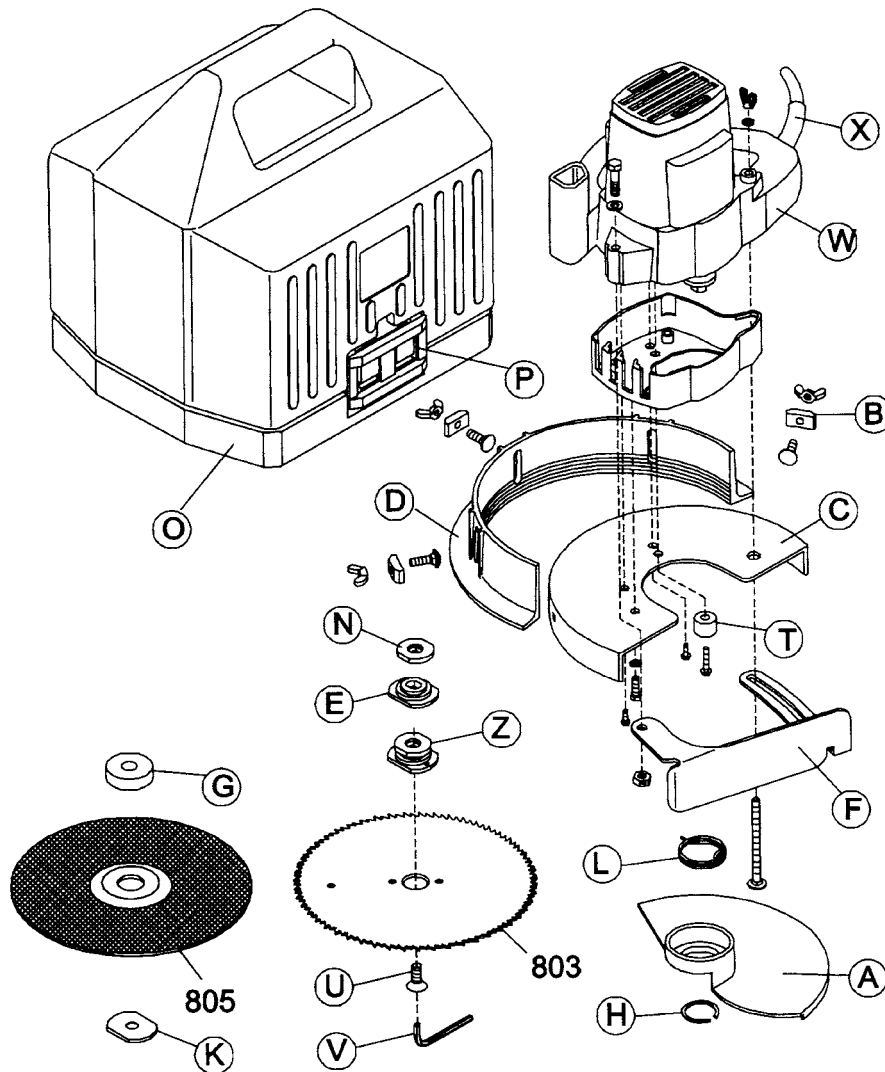


## No. 800 Super Saw



### NO. 800 SUPER SAW

Order No.	Description	Order No.	Description
1800-A	Blade Guard	1800-P*	Carrying Case Latch Set (2) - Discontinued
1800-B	Washer Set (3)	1800-T	Stopper
1800-C*	Horseshoe	1800-U*	Socket Set Screw
1800-D*	Height Adjuster - Discontinued	1800-V*	Allen® Wrench
1800-E	Blade Driver Assembly - Discontinued	1800-X	Power Cord
1800-F	Depth Gauge Assembly	1800-Y	Brush Set (2) (Not Shown)
1800-G	Mas. Blade Spindle Adaptor	1800-Z	Welded Blade Driver & Spacer
1800-H	Spring Retainer Ring	1801-A	Switch (not shown)
1800-K*	Masonry Blade Clamp	1801-B	Armature w/Fan (not shown)
1800-L	Lower Guard Spring	1801-C	Gear Cover w/Bushing (not shown)
1800-N	Spacer	1801-D	Spindle w/Gear (not shown)
1800-O*	2-Piece Carrying Case		* Same for No. 810

NOTE: Replacement power units no longer available.