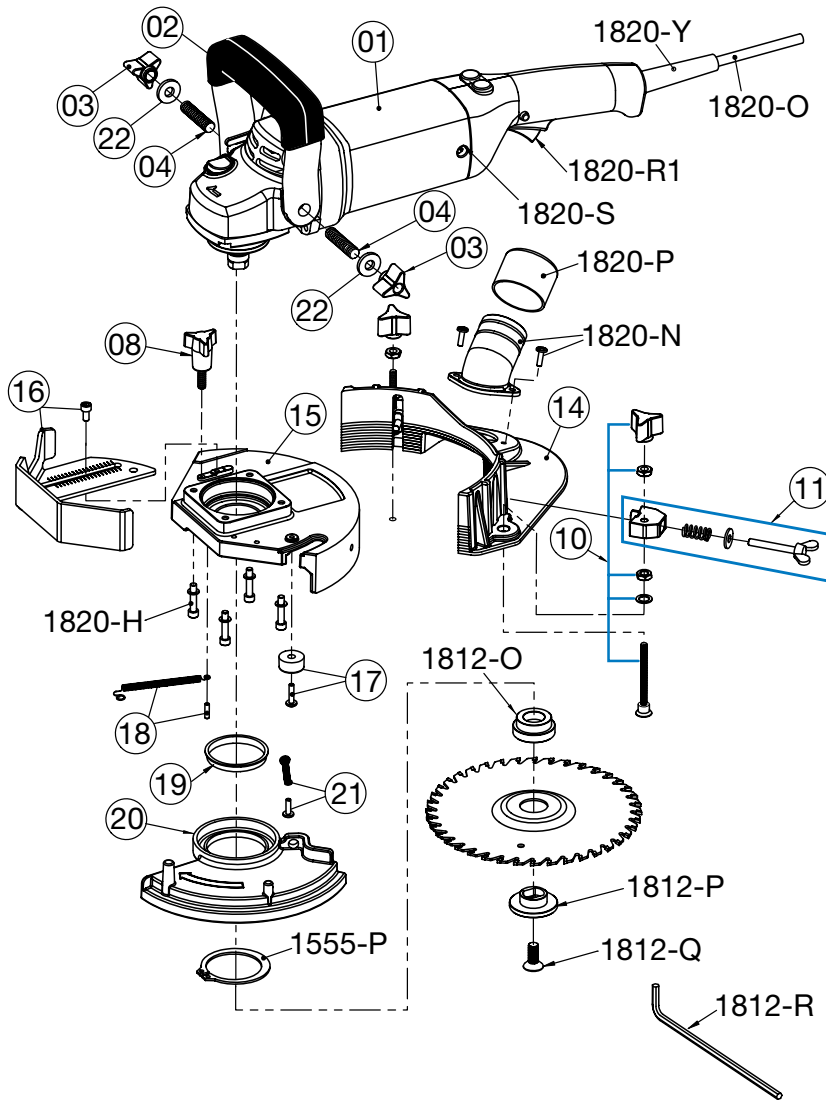


No. 825 Heavy-Duty Undercut Saw



NO. 825 HEAVY-DUTY UNDERCUT SAW

| Order No. | Description |
|-----------|--|
| 1825-01 | Power Unit, 120 V |
| 1825-01V | Power Unit, 220V |
| 1825-02 | Ratchet Handle |
| 1825-03 | Handle Three-Arm Knobs (2) |
| 1825-04 | Handle Threaded Studs (2) |
| 1825-08 | Depth Gauge Three-Arm Knob |
| 1825-10 | Height Adjuster Three-Arm Knob & Fasteners (5) |
| 1825-11 | Guide Washer & Fasteners (4) |
| 1825-14 | Height Adjuster |
| 1825-15 | Housing |
| 1825-16 | Depth Gauge & Fasteners (2) |
| 1825-17 | Stopper & Screw |
| 1825-18 | Hooked Spring & Screw |
| 1825-19 | Blade Guard Sleeve |
| 1825-20 | Blade Guard |
| 1825-21 | Flared Spring & Screw |
| 1825-22 | Handle Washers (2) |
| 1820-H | Housing Fastener Set (4) |
| 1820-N | Dust Port w/Screws (4) |
| 1820-O | Power Cord (not shown) |
| 1820-P | Dust Port Cap |
| 1820-R1 | Switch Type B, Black |
| 1820-S | Brushes Set |
| 1820-V | Brush Holder Assembly plus Brushes (not shown) |
| 1820-Y | Strain Relief Only |
| 1555-P | Snap Ring |
| 1812-O | Blade Spacer |
| 1812-P | Blade Clamp |
| 1812-Q | Blade Screw |
| 1812-R | 5mm Allen® Wrench |