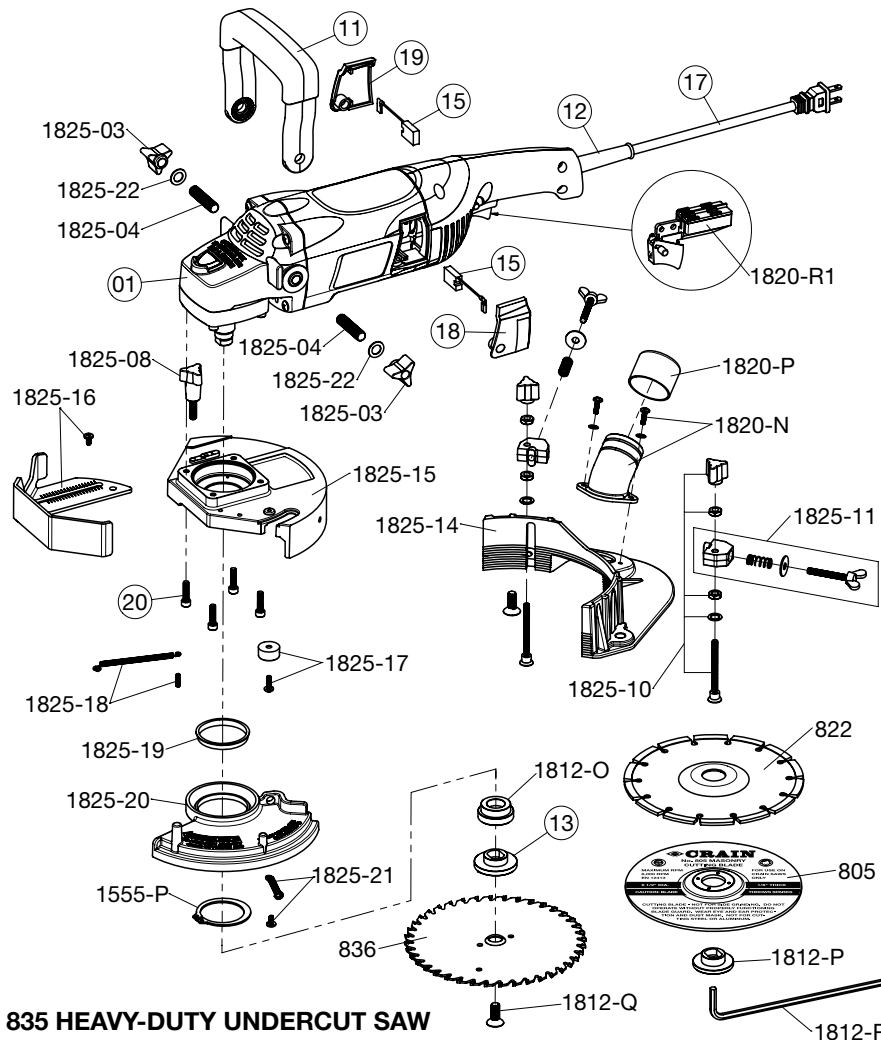


## No. 835 Heavy-Duty Undercut Saw



### NO. 835 HEAVY-DUTY UNDERCUT SAW

<b>Order No.</b>	<b>Description</b>
1835-01	120V Power Unit
1835-11	Ratchet Handle
1835-12	Strain Relief Only
1835-13	Blade Driver
1835-15	Power Unit Brush Set (2)
1835-16	Brush Holder Set (2) (not shown)
1835-17	Power Cord
1835-18	Brush Cover, Left
1835-19	Brush Cover, Right
1835-20	Housing Fastener Set (4)
Parts in common with other Crain saws:	
1555-P	Snap Ring
1812-O	Blade Spacer
1812-P	Blade Clamp
1812-Q	Blade Screw
1812-R	Hex Key Wrench
1820-N	Dust Port with Screws (4)
1820-P	Dust Port Cap

<b>Order No.</b>	<b>Description</b>
1820-R1	Switch Type B, Black
1825-03	Handle Three Arm Knobs (2)
1825-04	Handle Threaded Studs (2)
1825-08	Depth Gauge Three Arm Knob
1825-10	Height Adjuster Three Arm Knob & Fasteners (5)
1825-11	Guide Washer & Fasteners (4)
1825-14	Height Adjuster
1825-15	Housing
1825-16	Depth Gauge & Fasteners (2)
1825-17	Stopper & Screw
1825-18	Hooked Spring & Screw
1825-19	Blade Guard Sleeve
1825-20	Blade Guard
1825-21	Flared Spring & Screw
1825-22	Handle Washers (2)