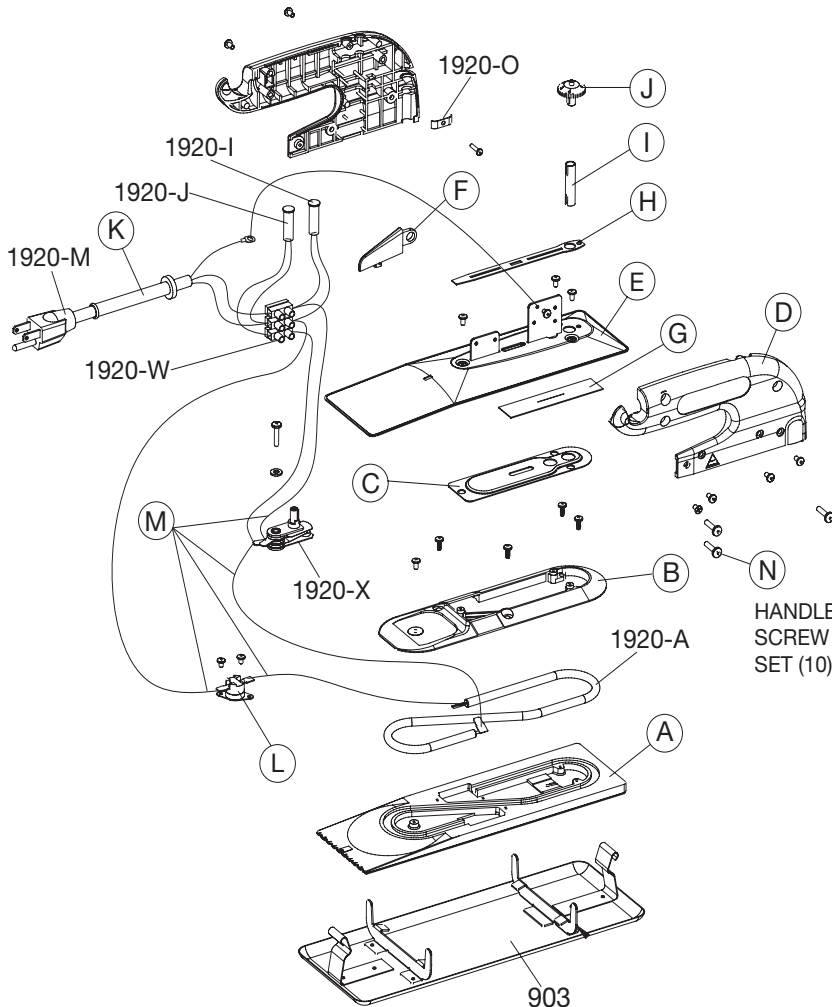


No. 900 Heat Bond Iron (Blue Handle)


NO. 900 HEAT BOND IRON

New style for irons produced after 1/24/05

| Order No. | Description |
|--------------------------------------|------------------------------------|
| 903 | 3" Universal Iron Tray |
| 1901-A | S/C Grooved Sole Plate |
| 1901-B | Element Cover & Screws |
| 1901-C | Top Cover |
| 1901-D | Handle Set & Screws |
| 1901-E | Heat Shield & Screws |
| 1901-F | Handle Guide & Screws |
| 1901-G | Insulator Pad |
| 1901-H | Handle Gasket |
| 1901-I | Extending Tube |
| 1901-J | Dial Knob |
| 1901-K | Strain Relief |
| 1901-L | Thermo Breaker Only |
| 1901-M | Wiring Harness Set |
| 1901-N | Handle Screws Only #900/905/945 |
| PARTS COMMON WITH THE No. 920 | |
| 1920-A | Heating Element |
| 1920-AV | 220V Heating Element |
| 1920-I | Power-On Light (Green) |
| 1920-IV | 220V Power-On Light (Green) |
| 1920-J | Heating Indicator Light (Red) |
| 1920-JV | 220V Heating Indicator Light (Red) |
| 1920-M | Power Cord |
| 1920-O | Light Holder & Screw |
| 1920-W | Terminal Block |
| 1920-X | Adjustable Thermostat |

