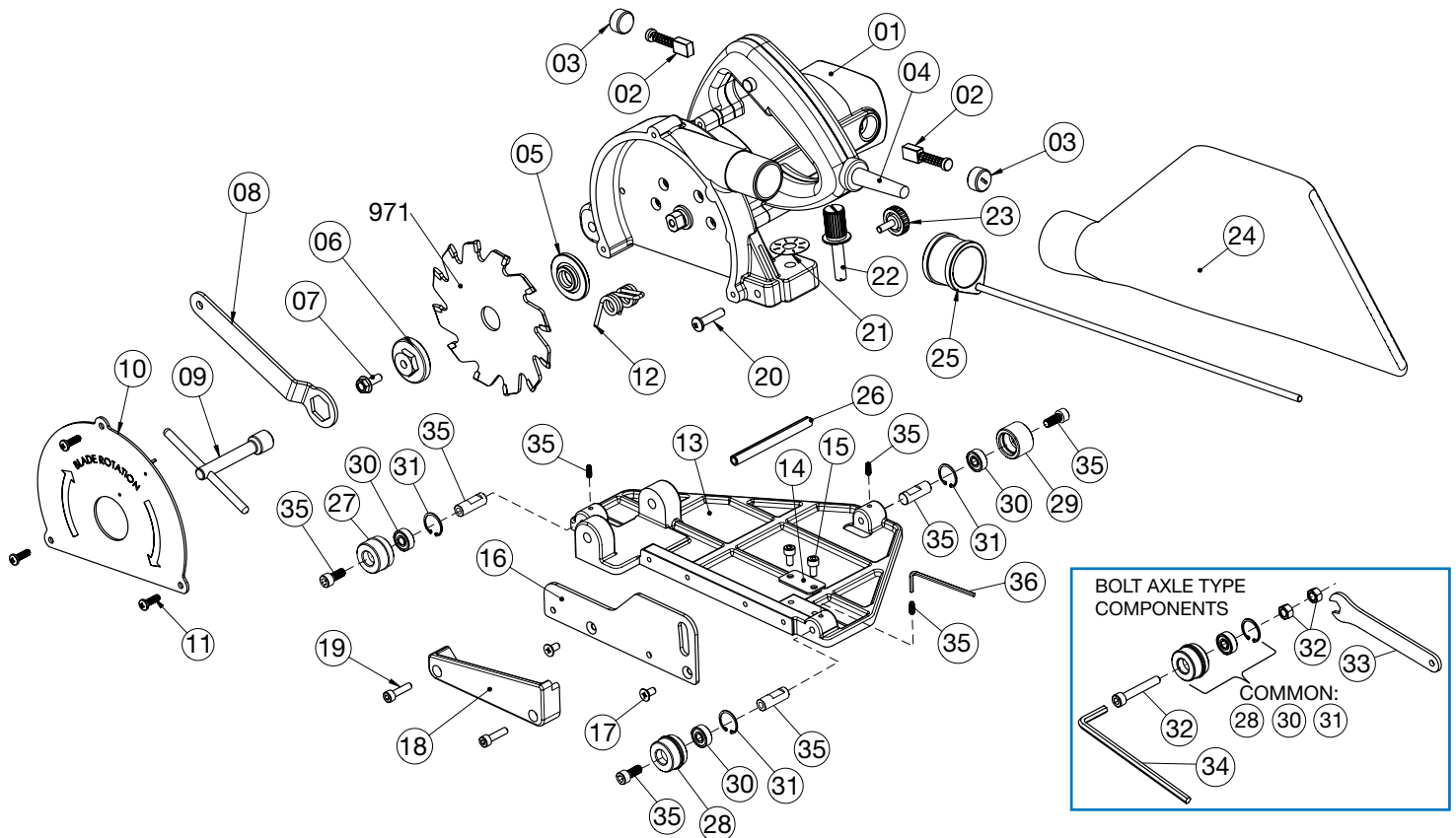


No. 970 Power Groover


NO. 970 POWER GROOVER

Order No.	Description	Order No.	Description	Order No.	Description
1970-01	120 Volts Power Unit	1970-14	Pressure Pad	1970-27	Front Guide Wheel
1970-02	Power Unit Brushes Set (2)	1970-15	Pressure Pad Fasteners (2)	1970-28	Rear Wheel
1970-03	Brush Cap Set (2)	1970-16	Upright Plate	1970-29	Center Wheel
1970-04	Power Cord	1970-17	Upright Plate Fasteners (2)	1970-30	Wheel Bearing
1970-05	Blade Spacer	1970-18	Blade Cover	1970-31	Snap Ring
1970-06	Clamp Nut	1970-19	Blade Cover Fasteners (2)	1970-32	Wheel Axle and Nuts (4)
1970-07	Blade Screw	1970-20	Power Unit Locking Screw	1970-33	10mm Jam Nut Wrench
1970-08	Clamp Nut Box Wrench	1970-21	Depth Adjusting Label	1970-34	5mm Allen® Wrench
1970-09	Blade Screw T-Wrench	1970-22	Depth Adjusting Screw	1970-35	Sliding Axle & Fasteners
1970-10	Blade Guard	1970-23	Depth Locking Screw	1970-36	2.5mm Allen® Wrench
1970-11	Blade Guard Fasteners (3)	1970-24	Dust Collector Bag	1970-37	Groover Case Only (not shown)
1970-12	Torsion Spring	1970-25	Bag Collar and Supporter	1988-A	Welding Kit Case Only (not shown)
1970-13	Groover Base	1970-26	Power Unit Pivot Pin		