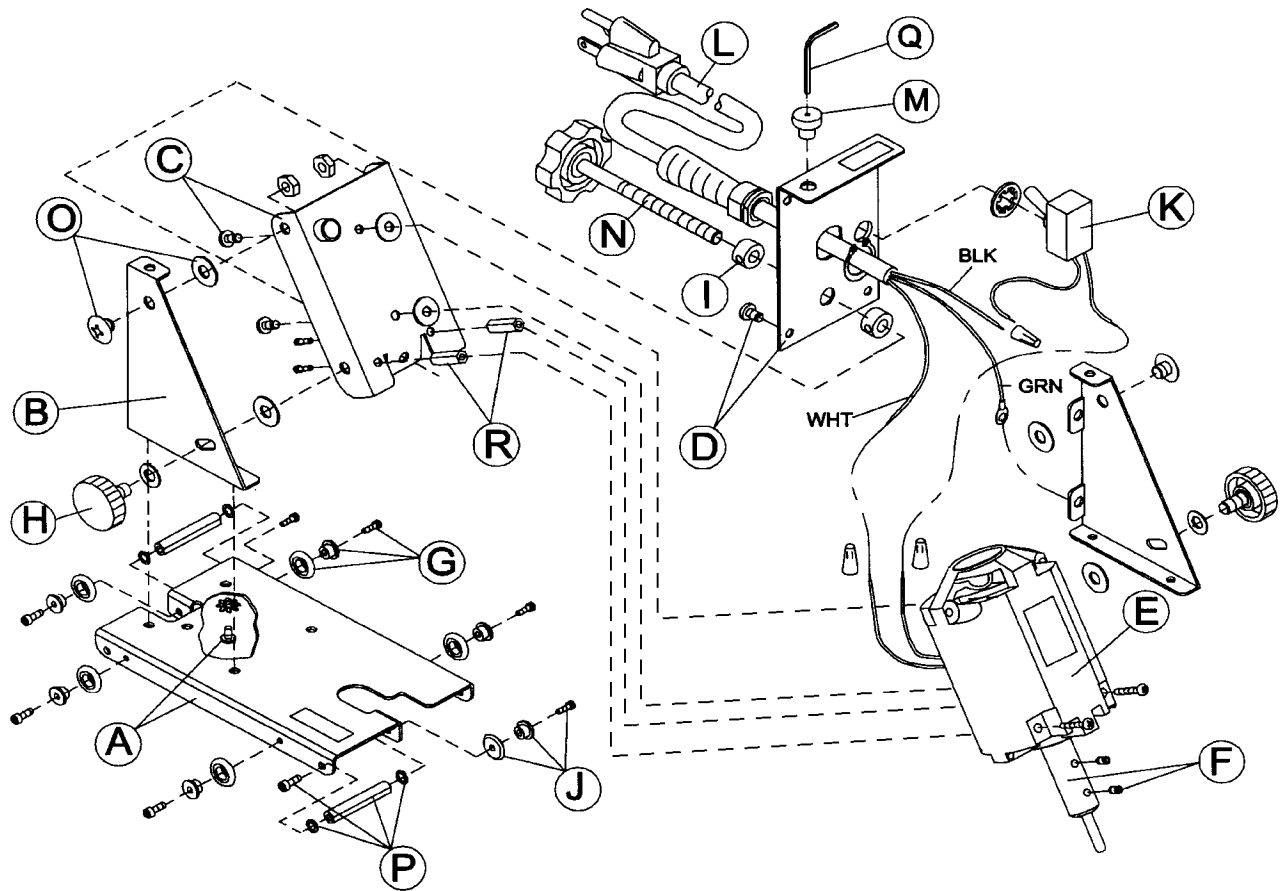


No. 975 Power Groover



NO. 975 POWER GROOVER

Order No.	Description
1975-A	Groover Base & Screws (4)
1975-B	Upright Set (2)
1975-C	Mounting Bracket & Screws (4)
1975-D	Back Cover & Screws (4)
1975-F	Spindle & Screws (2)
1975-G	Brass Wheel Set (3 pcs.)
1975-H	Clamp Knob
1975-I	Collar
1975-J	Carbide Wheel Set (3 pcs.)
1975-K	Toggle Switch
1975-L	Power Cord Set
1975-M	Rubber Bushing
1975-N	Depth Adjustment Knob
1975-O	Nylon Washer & Screw Set (4)
1975-P	Wheel Axle & Screw Set (4)
1975-Q	Allen® Wrench
1975-R	Motor Mounting Supports (2)