

## BENEFITS OF THE COMBINATION EDGE:

This tool includes a precision ground straight edge on one side and a serpent edge on the other. The straight edge is accurate enough for cutting regular carpet seams. The serpent edge is used on patterned or sculptured carpet to reduce the visibility of seams. It also helps hide seams on carpets with shading issues, or carpets with problematic seams.

The serpent edge should be used on tufted carpet only. It should not be used on woven or rubber-backed carpet.

When used, the serpent edge helps solve the following problems:

1. Seams cut with serpent-shaped edges disguise the seam area by blending pattern, color and tufting.
2. Visibility of cross seams can be reduced.
3. Seams cut with serpent edges are less prone to hinging and peaking than straight seams:

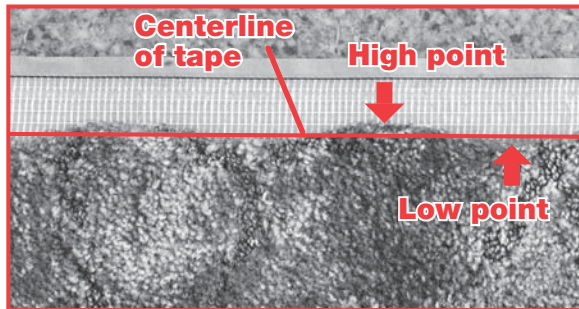


FIG. A

Figure A shows how the serpent cut edges criss-cross the centerline of the seam tape which tends to reduce seam hinging and peaking.

When placed on the tape, the high and low points of the serpent-shaped edge should alternate from one side of the tape's centerline to the other. In Fig. A, the left arrow shows a high point and the right arrow shows a low point.

## CUTTING SERPENT SEAM EDGES:

The following apply to any type of seam, including length, cross, and doorway seams.



FIG. B

- STEP 1** Lay-out the room as you normally do. Refer to Fig. B. Fold back the left side of the seam and trim a serpent edge. When moving the tool along the uncut edge, to produce a continuous wave, align the tool with at least 2 waves of the previously cut serpent edge before making further cuts.



FIG. C

- STEP 2** Refer to Fig. C above. If you are working with patterned carpet, first line-up the pattern. Lay the left (cut) side over the right (uncut) side with the proper overlap for the particular carpet. Mark the right side at the high point of the previously cut serpent edge (left side) by making a small top cut with a knife. Repeat by marking the carpet on the right side again further down the seam at another high point on

the left side of the carpet. NOTE: the distance to the next mark must be less than the length of the tool (minus about one complete wave for ease of alignment). These marks will be used to align the tool (Step 3).

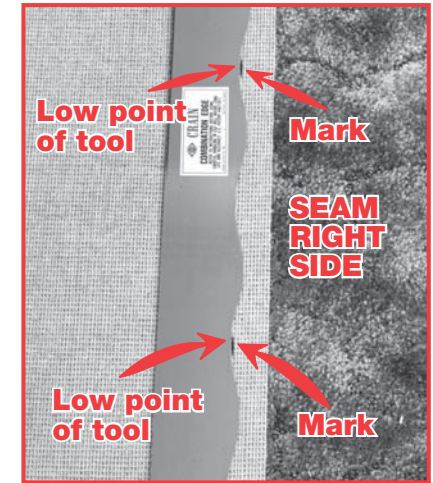


FIG. D

- STEP 3** Refer to Fig. D above. Fold back the right hand side of the seam and position two low points of the tool at the cut marks as shown. Trim the right side of the seam.



FIG. E

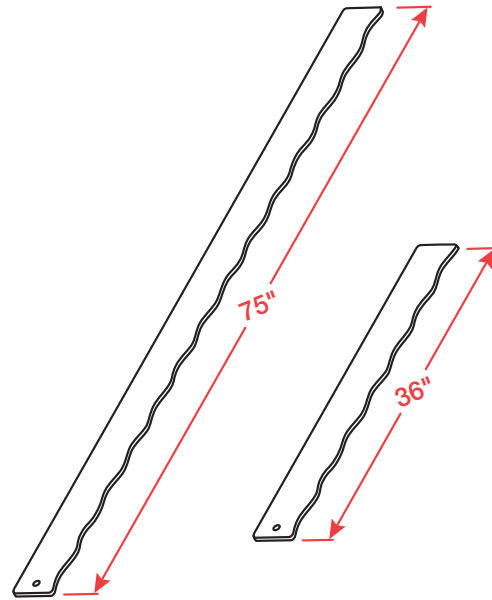
- STEP 4** Refer to Fig. E above. Fold the right hand side back into place and both left and right serpent cut edges should align with each other. The seam is ready for hot melt seaming with tape or direct glue. If seaming with tape, be sure to position the centerline of the tape as shown in Fig. A.

## TIPS FOR BETTER SEAMS:

- 1 Some users find that the sharp, narrow point of a utility blade follows the curves of the serpent edge more easily than slotted razor blades.
- 2 It is always recommended to seal seam edges with Jiffytex Latex or equivalent to prevent fraying of edges and delamination.
- 3 When possible, always trim the carpet in the direction of the nap sweep.
- 4 When trimming seam edges using this tool as a guide, use care to cut through the carpet's backing only. Cutting deeper into the face fibers will shear yarn and create an unsightly seam.
- 5 When seaming with an iron, move iron in the direction of the nap sweep whenever possible.
- 6 Use a seam roller to get maximum penetration of adhesive into the carpet's backing.

**NOTE:** We do not recommend using the serpent-edge on woven or rubber-backed carpets. This tool works best on tufted carpets only.

## ORDERING INFORMATION:

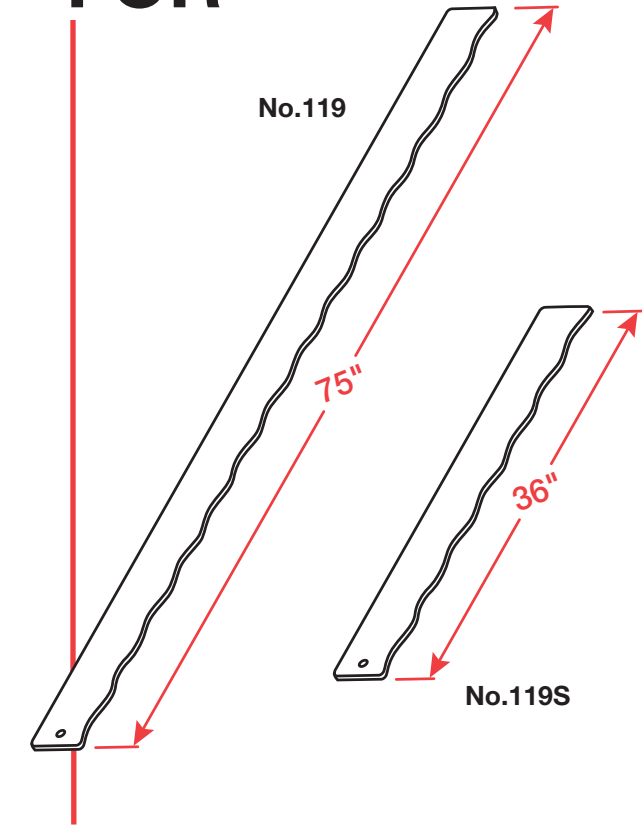


Order No.	Description	Weight Each
119	75" Combination Edge	8.34 lbs.
119S	36" Combination Edge	3.92 lbs.

## CRAIN CUTTER CO., INC.

Milpitas, CA 95035  
TELEPHONE (408) 946-6100

# INSTRUCTION MANUAL FOR



**No. 119**  
**75" COMBINATION EDGE**

**No. 119S**  
**36" COMBINATION EDGE**