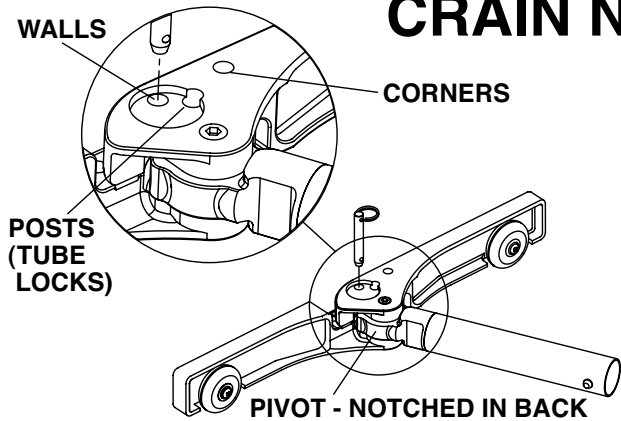


CRAIN No.1500-23 FOLDING TAIL BLOCK



- For posts, fold legs to approx. 135° and put the pin in the hole marked "POSTS". Align notch in pivot, and tube will lock.
- For corners, fold legs to approx. 90° and put pin in the hole marked "CORNERS".
- Do not use this tool to stretch off door jambs! Door casings are fragile.
- Insert the pin fully at all times. Bottom and top holes must always be aligned.

