

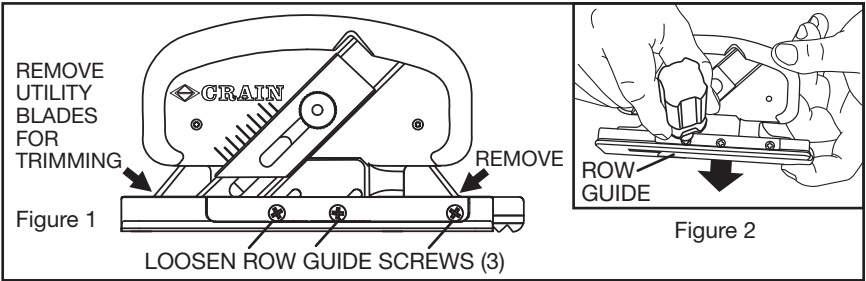
CRAIN No. 290 SEAM CUTTER PLUS

CUTTING SEAM EDGES:

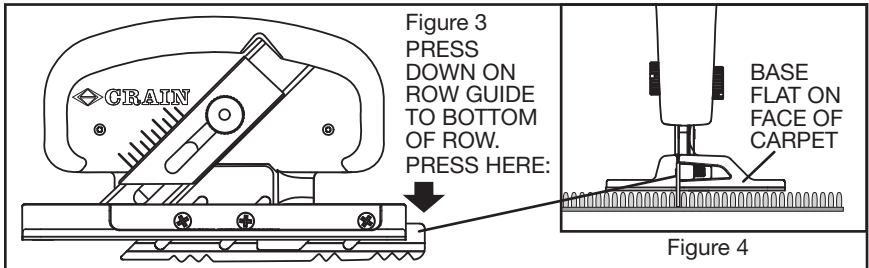
When cutting seams it is advisable to remove blades that are used for trimming only. See Figure 1 below for blades to be removed.

ADJUSTING THE ROW GUIDE:

Loosen 3 screws to allow the row guide to move up or down (Figure 3).



Part the nap of the carpet with a row finder or separator. Set the base of the cutter on the carpet with the extended row guide (Figure 3) inserted into the parted row (Figure 4). With some downward pressure on the handle of the tool, press the row guide down (Figure 3) to the bottom of the row. Once the row guide depth is set, retighten the 3 screws.



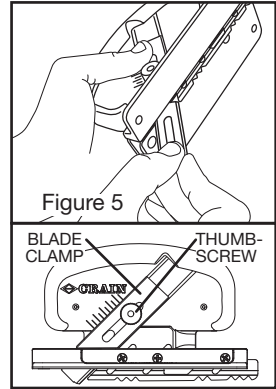
NOTE: The row guide should ride on the bottom of the row when the base is flat on the face of the carpet (Figure 4). The base should not teeter back and forth on the row guide. If it does, shorten the depth of the guide until there is no rocking, yet the guide still contacts the bottom of the row.

TYPES OF BLADES FOR SEAM CUTTING:

For seam cutting, the cutter will take either a slotted razor blade or a utility blade. A slotted razor blade works well for cutting seam edges in carpets with conventional backings or attached cushion. **WARNING:** It is not advisable to extend a slotted razor blade more than 3/4" beyond the base. For maximum cutting depth, use a utility blade. Utility blades are thicker and less prone to undesired flexing or breakage.

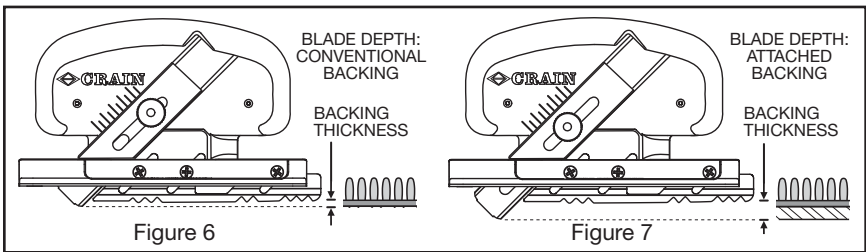
INSERTING BLADE FOR SEAM CUTTING:

Loosen the thumbscrew and insert a blade through the base of the cutter all the way into the blade clamp (Figure 5). NOTE: the thumbscrew should always be positioned above the blade. For seam cutting, the cutter can take either a slotted razor blade or a utility blade. Extend the blade beyond the row guide by the amount necessary to cut through the carpet's backing.



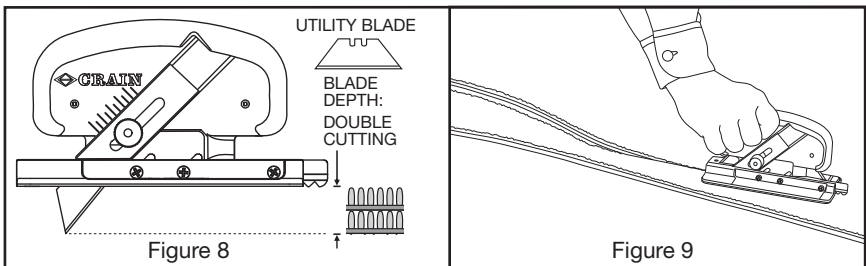
ADJUSTING THE CUTTING BLADE:

Adjust the bottom corner of the blade below the row guide approximately the thickness of the carpet's backing (Figure 6 & 7). Make test cuts and perform necessary adjustments before proceeding.



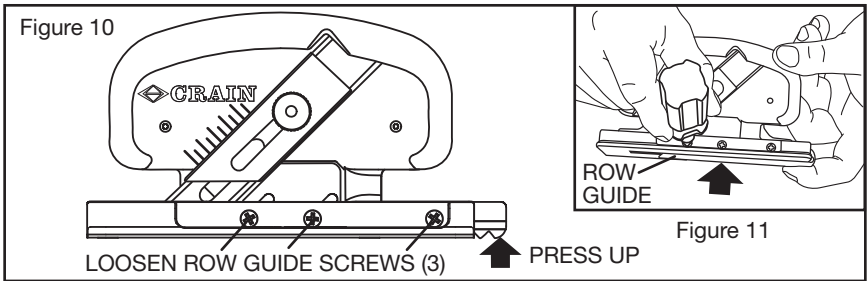
TOP CUTTING WITHOUT THE ROW GUIDE:

When finding rows in a carpet is very difficult, the cutter can top cut seams by overlapping the carpet at the seam area, then cutting through both pieces of carpet from the top. Retract the row guide in the base. Insert a utility blade, and adjust so that it extends far enough from the base so it is able to cut the two carpet thicknesses (Figure 8). Plunge the blade through the two pieces of carpet until the base rides flat on the top piece. Push forward and the cutter top cuts both seam edges. On certain carpets, cutting in a serpentine motion can help disguise the seam (Figure 9). A test seam is often a good idea.

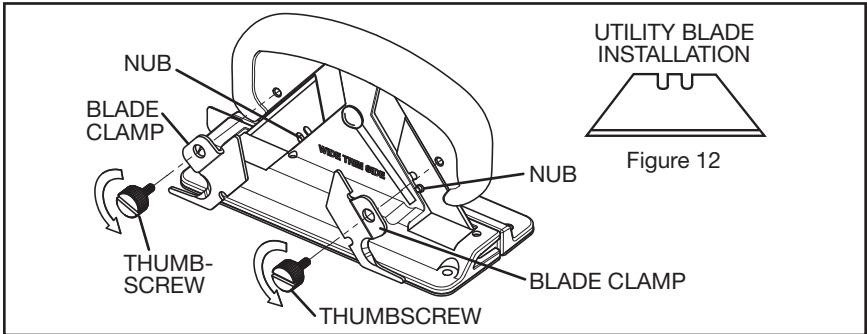


TRIMMING CARPET TO Z-BAR:

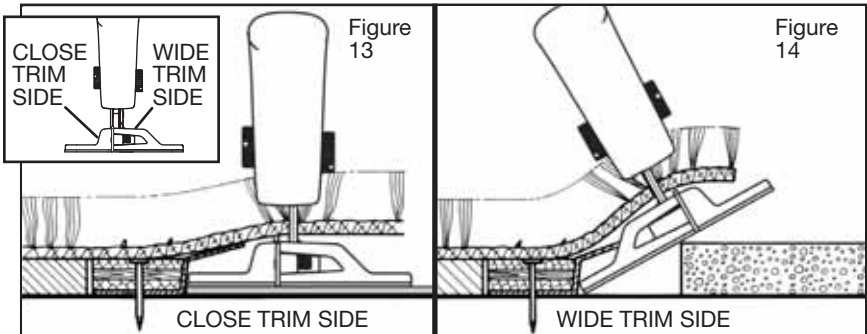
Retract the row guide and the seam cutting blade in the base (Figure 10).



Loosen the two thumb screws on the opposite side of the handle, which loosens the blade clamps. Install two utility blades as shown in Figure 12.



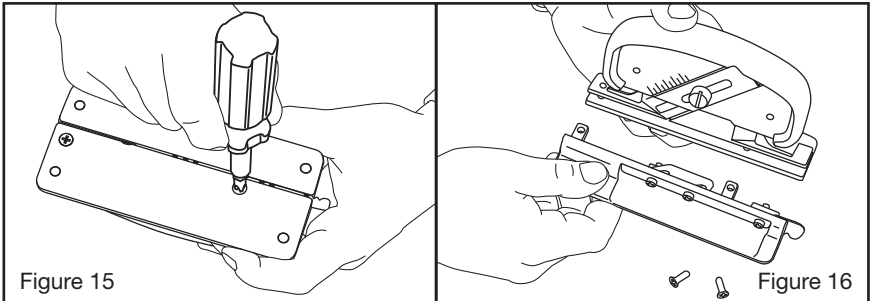
Note that on the base there is a “close trim side” and a “wide trim side” (Figure 13). The close trim side is for trimming Z-bar that is being installed adjacent to a low elevation surface (Figure 13). The wide trim side is used when installing carpet adjacent to an elevated surface, requiring the trimmer to be tilted over (Figure 14).



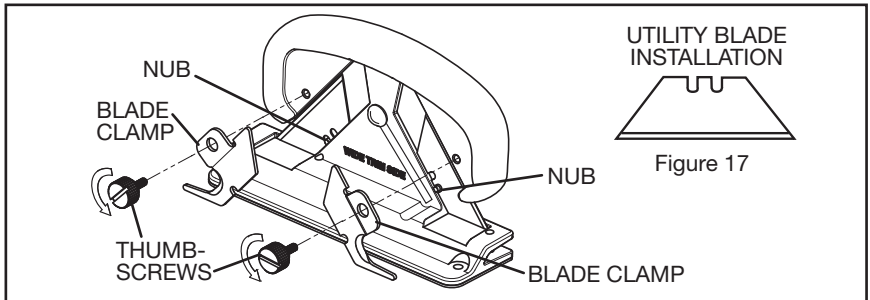
When trimming, keep the inside edge of the cutter's base pressed tight against the Z-bar. This will give you the perfect amount of carpet to fold underneath the Z-bar once the trimming operation is complete.

TRIMMING CARPET TO VINYL MOLDING:

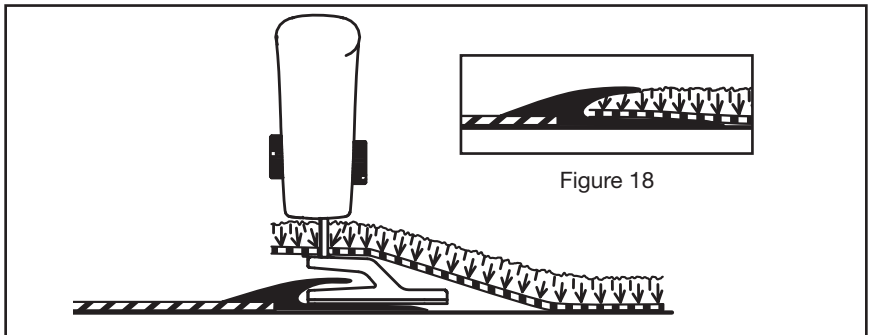
Remove the two screws from the bottom of the base (Figure 15) in order to remove the “close trim side” of the cutter (Figure 16). It is also necessary to remove the seam cutting blade.



Loosen the two thumbscrews, which loosens the blade clamps. Install two utility blades as shown in Figure 17.



When trimming, keep the edge of the cutter's base pressed tight against the inside edge of the vinyl molding (Figure 18). This will give you the perfect amount of carpet to tuck underneath the vinyl molding.



INSTALLATION TIPS: Glue carpet within two feet of the molding.

Overlap unglued carpet over molding. Trim excess carpet using the tool.

Fold back the carpet, finish spreading adhesive, then tuck the carpet under the lip of the molding for a perfect fit.