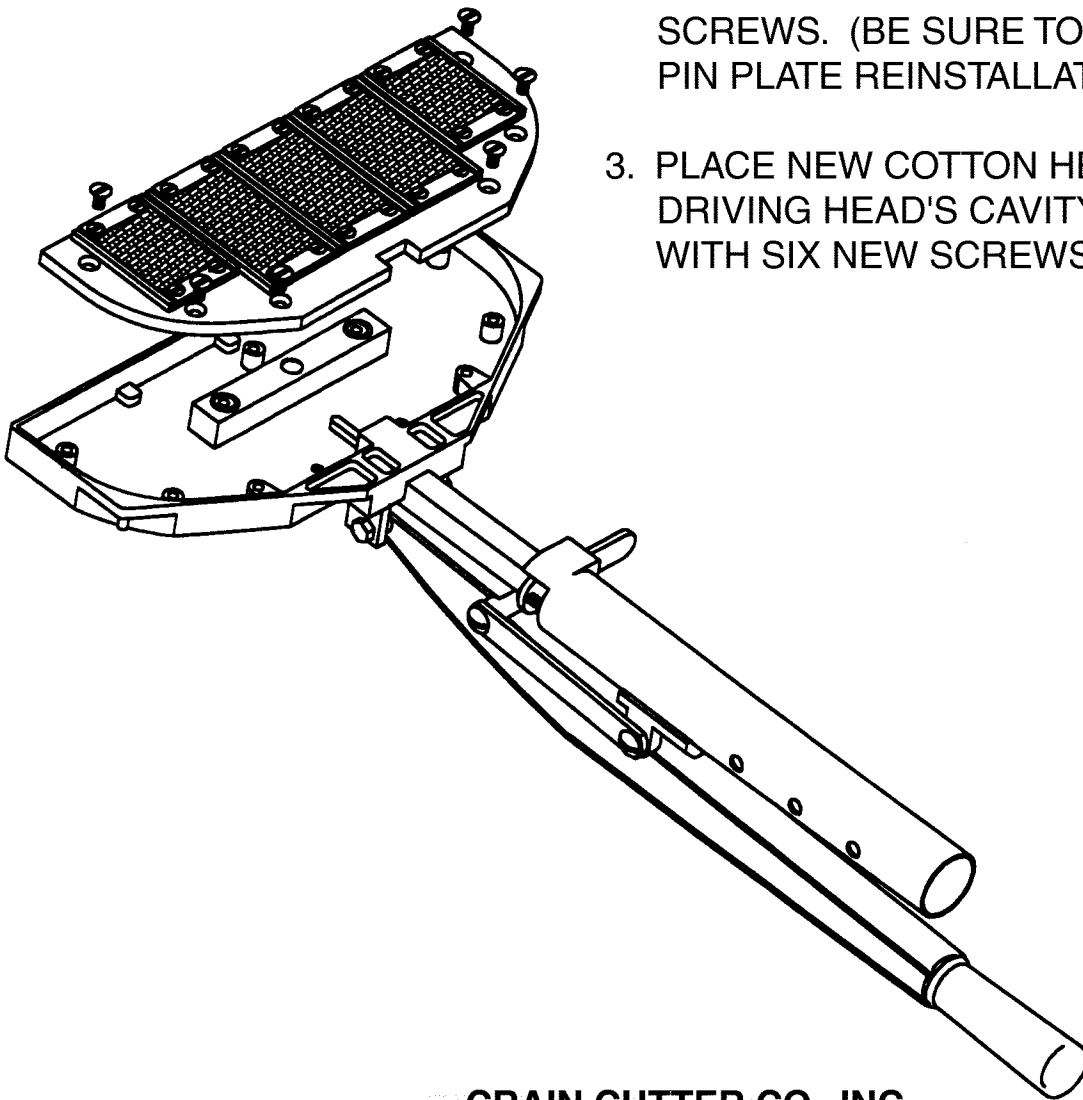


INSTALLATION INSTRUCTIONS FOR NEW #500-Z COTTON HEAD

PROCEDURES:

1. LOOSEN SEVEN SCREWS TO REMOVE PIN PLATE FROM DRIVING HEAD.
2. REMOVE TWO DEPTH BAR ADJUSTMENT SCREWS. (BE SURE TO SAVE THEM FOR PIN PLATE REINSTALLATION.)
3. PLACE NEW COTTON HEAD INSIDE DRIVING HEAD'S CAVITY AND TIGHTEN WITH SIX NEW SCREWS PROVIDED.



CRAIN CUTTER CO., INC.

1155 Wrigley Way
Milpitas, CA 95035
(408) 946-6100
www.craintools.com