

Replacing the No. 553/559 Close to Wall Staple Tool Staple Driver:

WARNING: Wear safety glasses when performing the procedures below.

Please see Figure 1 for the names of the parts provided with this kit.

The exploded view of the proper assembly of the staple driver is shown in Figure 2:

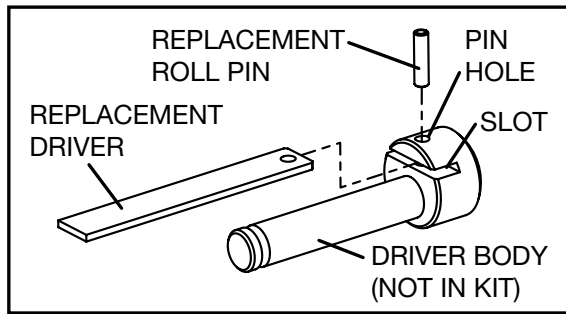


Figure 2

STEP ONE – REMOVING OLD ROLL PIN

Place the staple driver assembly in a vise with the driver side down. The “open” side of the pin hole should be facing up. (Figure 3)

STEP TWO – INSERT PUNCH

Insert the punch in the pin hole. (Figure 4)

STEP THREE – TAP PUNCH

Tap the punch with a hammer until the old roll pin comes out of the bottom of the staple driver assembly. (Figure 5)

STEP FOUR – REASSEMBLY

Remove the staple driver assembly from the vise. Remove the old driver. Put the driver body back in the vise with the slot on the top side. Insert the replacement driver in the slot. The hole in the replacement driver must align with the hole in the staple driver body. Insert the replacement roll pin in the hole of the staple driver body. Drive the replacement roll pin in the hole until flush. (Figure 6)

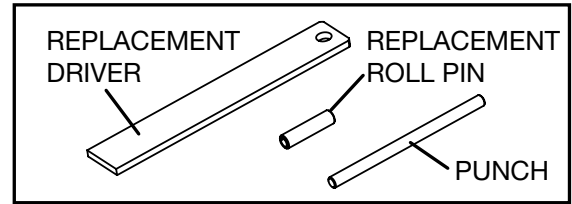


Figure 1

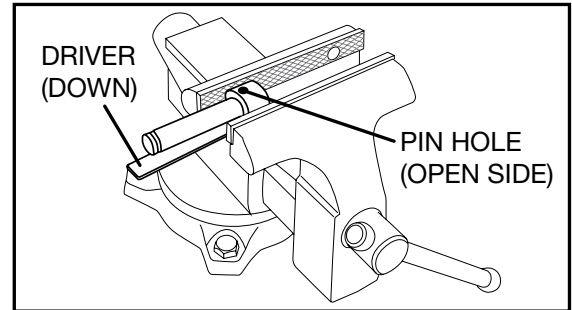


Figure 3

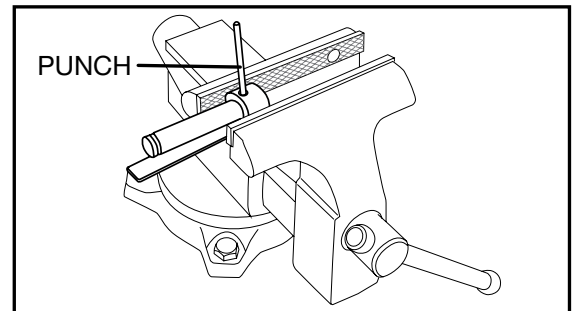


Figure 4

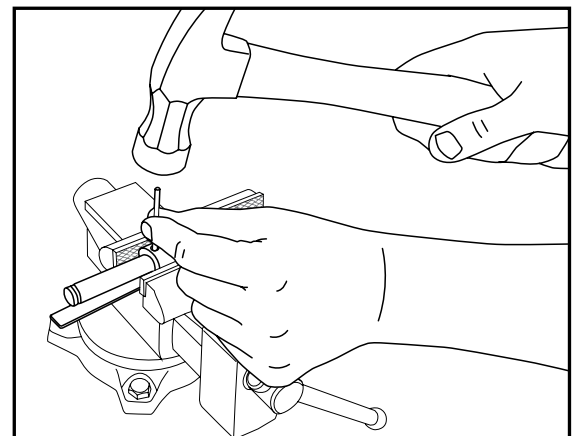


Figure 5

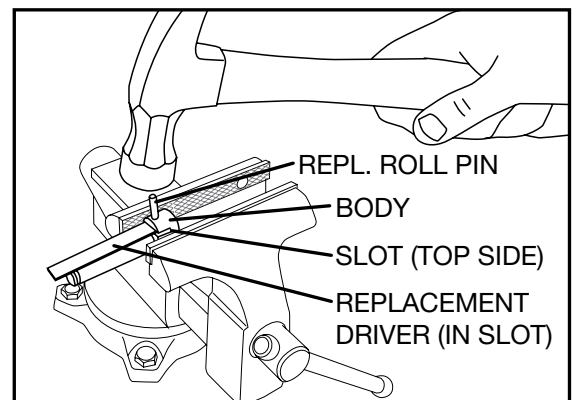


Figure 6