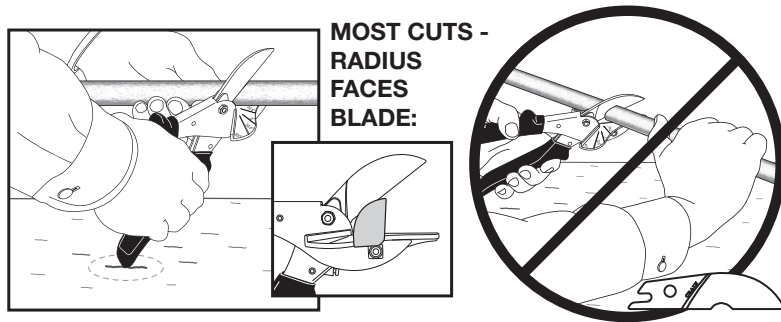




# No. 855 Wood Mitre Instructions For Use

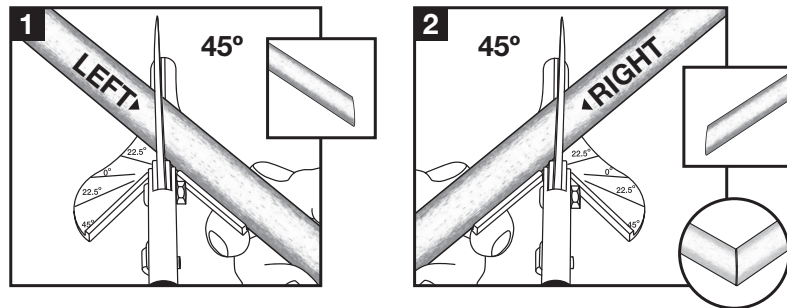
This tool works best on soft woods such as pine or MDF. Hardwoods like oak have hard spots that can break blades.



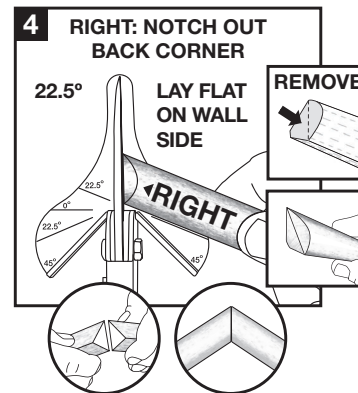
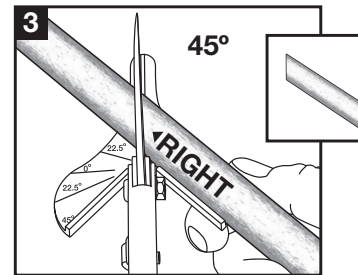
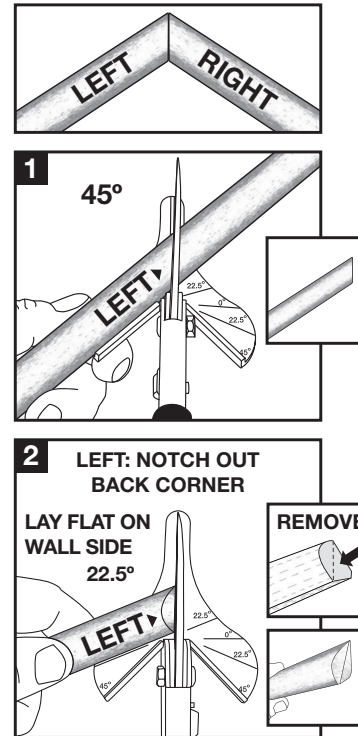
**MOST CUTS -  
RADIUS  
FACES  
BLADE:**

Cut with bottom handle grip against floor for increased leverage and support. Commit and cut all the way through. Partial cuts get stuck on blade. Do not twist the wood off. Most cuts are made with radius facing the blade (exception: square inside corner).

## MITER CORNERS: SQUARE OUTSIDE

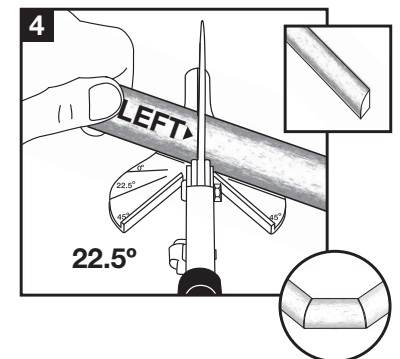
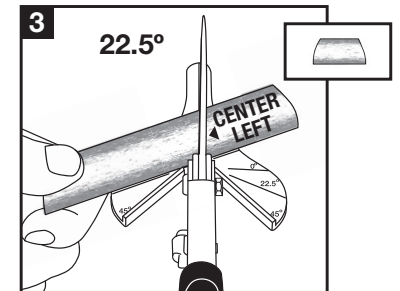
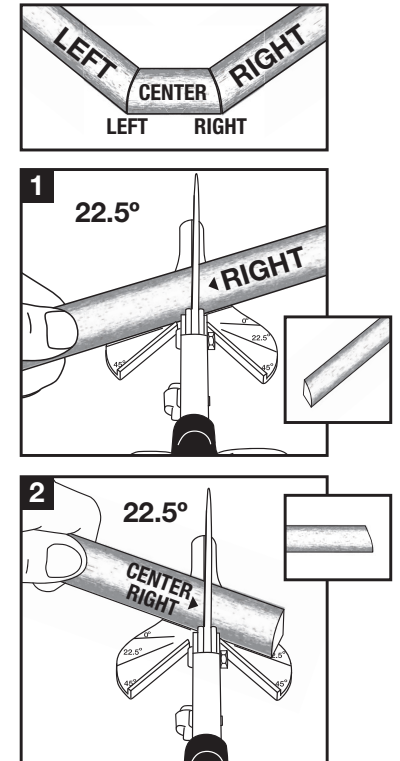


## SQUARE INSIDE



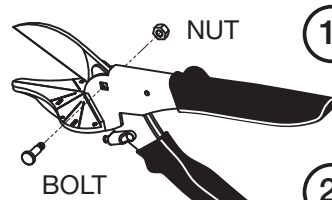
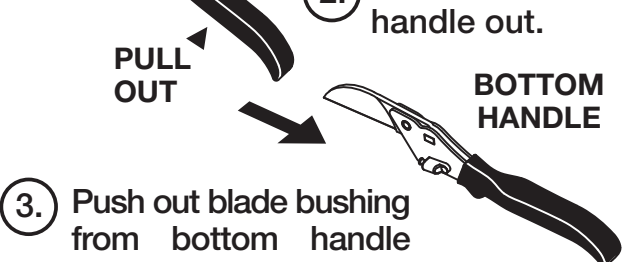
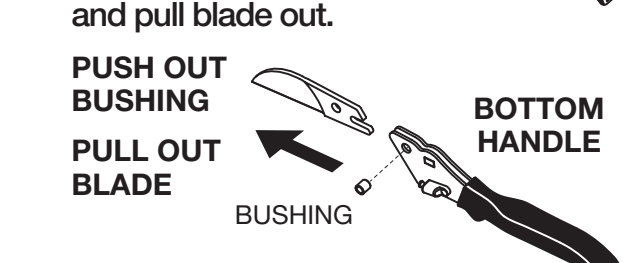
**TIP: NOTCHED BACK CORNERS  
ELIMINATE GAPPING**

## "SOFT" OUTSIDE

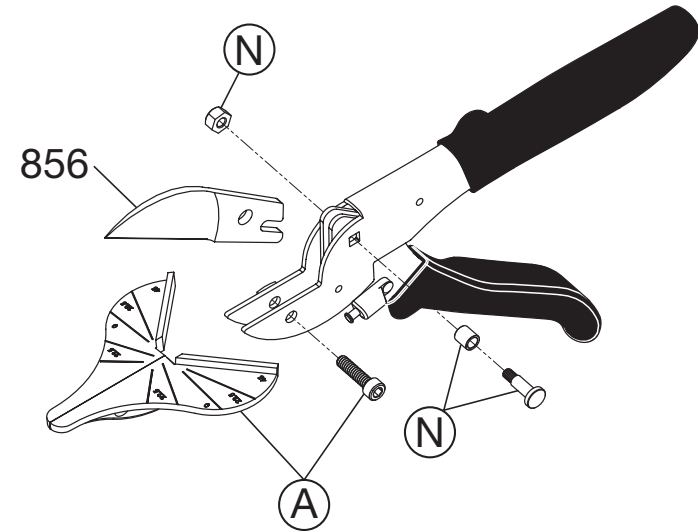


## BLADE CHANGE:

**WARNING:** blades are sharp!

- 
1. Remove nut and carriage bolt.
- 
2. Pull bottom handle out.
- PULL OUT**
- BOTTOM HANDLE**
- 
3. Push out blade bushing from bottom handle and pull blade out.
- PUSH OUT BUSHING**
- PULL OUT BLADE**
- BUSHING**
- BOTTOM HANDLE**
4. Insert new blade, and replace bushing. Replace bottom handle. Re-insert carriage bolt, and tighten nut.

## REPLACEMENT PARTS:



### NO. 855 WOOD MITER

Order No.	Description
856	Wood Miter Replacement Blade
1855-A	Table & Screw
1880-N	Nut, Bolt, Bushing Set