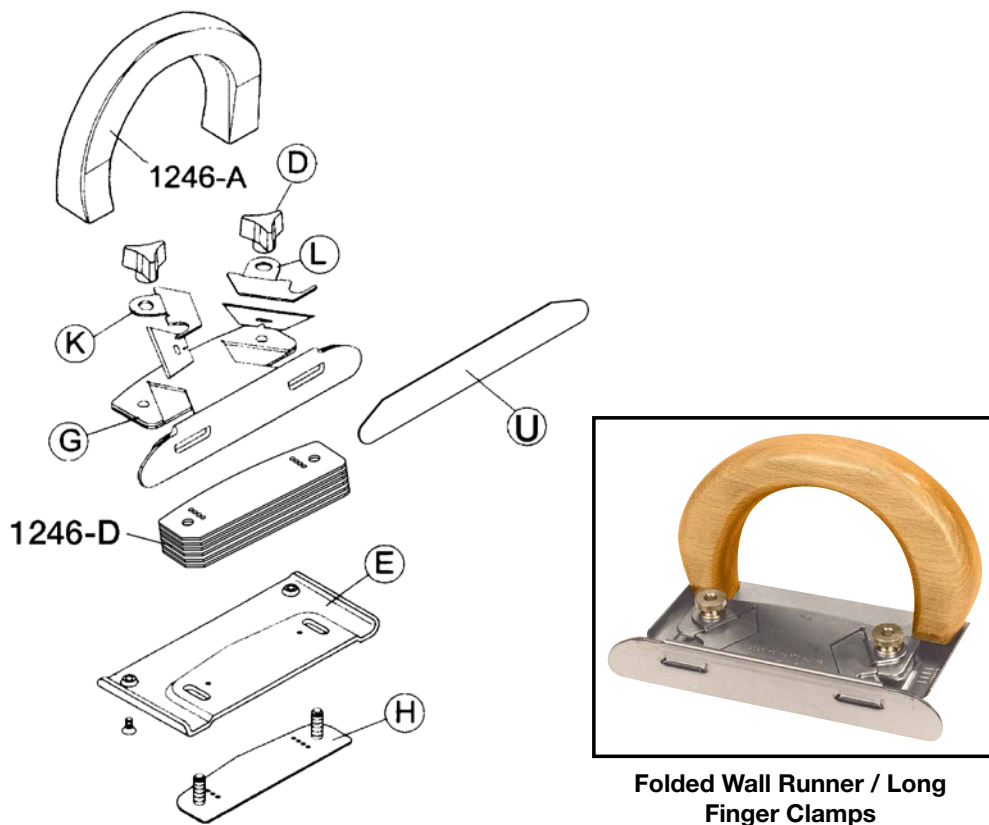


No. 246 Carpet Trimmer

For trimmers produced before 09/30/00
(Folded Wall Runner / Long Finger Clamps)



NO. 246 CARPET TRIMMER FOR TRIMMERS PRODUCED BEFORE 09/30/00 (FOLDED WALL RUNNER / LONG FINGER CLAMPS)

<i>Order No.</i>	<i>Description</i>
1245-D	3 Arm Knob Set (3)
1245-E*	Base with Screws (2)
1245-G*	OLD Wall Runner - Discontinued**
1245-H*	False Bottom
1245-K*	OLD Blade Holder, Left - Discontinued**
1245-L*	OLD Blade Holder, Right
1245-U*	NEW Runner Pad
1246-A	Wooden Handle and Screws
1246-D	Universal Shim Set (6)

*Same for No. 246 produced before 09/30/00

**To replace, order all of 1245-T1, X1, V1 (see new style diagram)