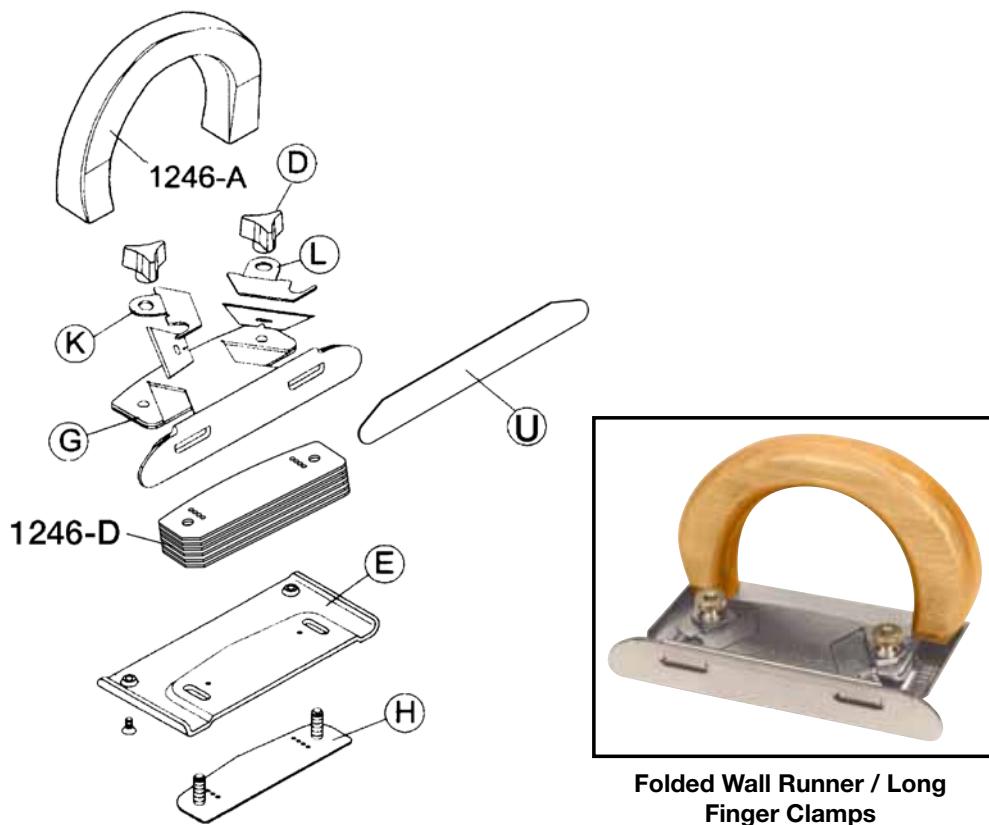


## No. 246 Carpet Trimmer

For trimmers produced before 09/30/00  
(Folded Wall Runner / Long Finger Clamps)



### NO. 246 CARPET TRIMMER FOR TRIMMERS PRODUCED BEFORE 09/30/00 (FOLDED WALL RUNNER / LONG FINGER CLAMPS)

| <i>Order No.</i> | <i>Description</i>               |
|------------------|----------------------------------|
| 1245-D           | 3 Arm Knob Set (3)               |
| 1245-E*          | Base with Screws (2)             |
| 1245-G*          | OLD Wall Runner - Discontinued** |
| 1245-H*          | False Bottom                     |
| 1245-K*          | OLD Blade Holder, Left           |
| 1245-L*          | OLD Blade Holder, Right          |
| 1245-U*          | NEW Runner Pad                   |
| 1246-A           | Wooden Handle and Screws         |
| 1246-D           | Universal Shim Set (6)           |

\*Same for No. 246 produced before 09/30/00

\*\*To replace, order 1245-T1, X1, V1 (see new style diagram)