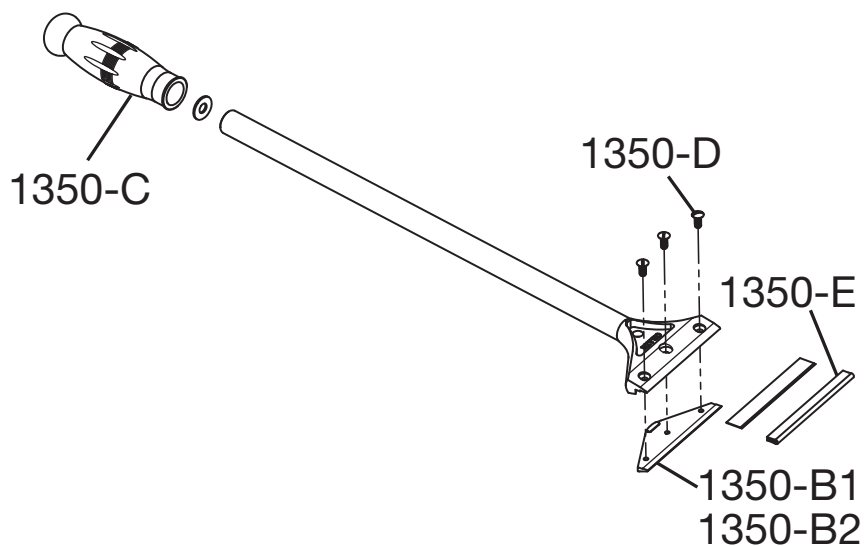


No. 350 Floor Stripper No. 360 Pro Stripper

**Black Handle****Red Handle****NO. 350 FLOOR STRIPPER****NO. 360 PRO STRIPPER**

**NOTE: All listed parts common to
No. 360 Pro Stripper**

Order No. Description

1350-C	Grip Only
1350-D	Blade Clamp Screws Only (3)
1350-E	Blade Protector
BLACK HANDLE - Scrapers prior to 10/01/2001	
1350-B1	Blade Clamp & Screws (3)
RED HANDLE - Scrapers after 10/01/2001	
1350-B2	Blade Clamp & Screws (3)