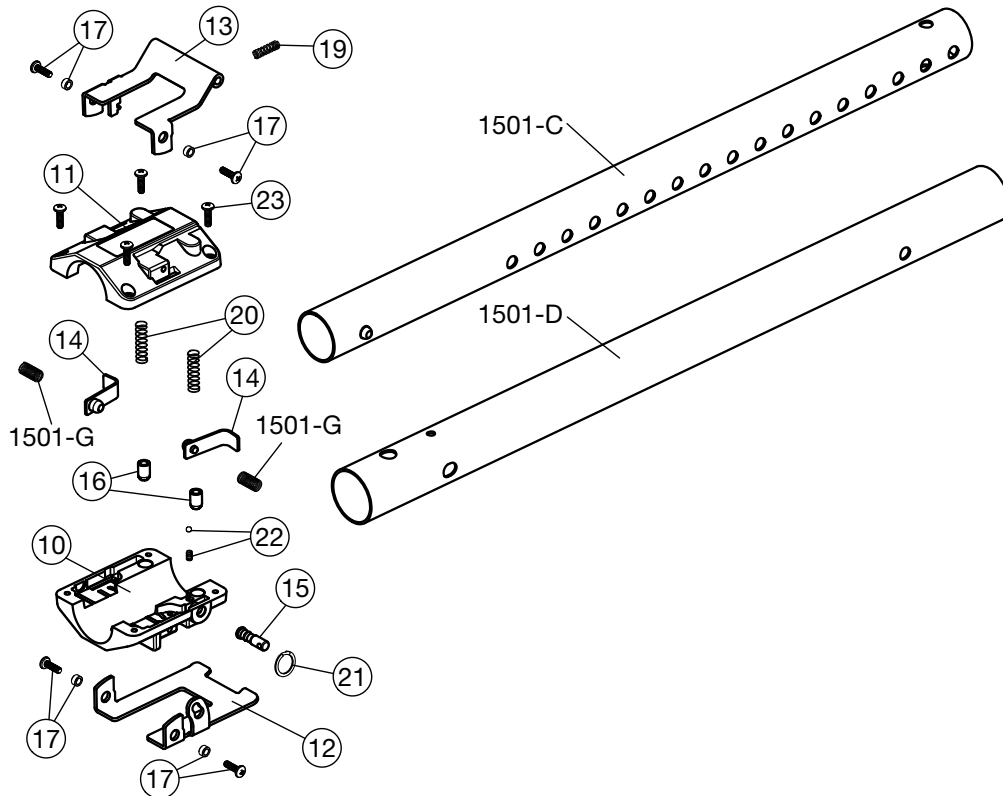


No. 510 Lever Extension Tube



NO. 510 LEVER EXTENSION TUBE

Order No.	Description
1501-C	Inside Tube
1501-D	Outside Tube
1501-G	Springs (2)
1510-10	Bottom Housing
1510-11	Top Housing
1510-12	Floor Lever
1510-13	Hand Lever
1510-14	Teeter Set (2)
1510-15	Lock Pin
1510-16	Plunger Set (2)
1510-17	Bushing & Screw Set (2)
1510-19	Top Lever Spring
1510-20	Bottom Lever Spring Set (2)
1510-21	Lock Pin Ring
1510-22	Ball & Spring Set
1510-23	Top Housing Screw Set (4)