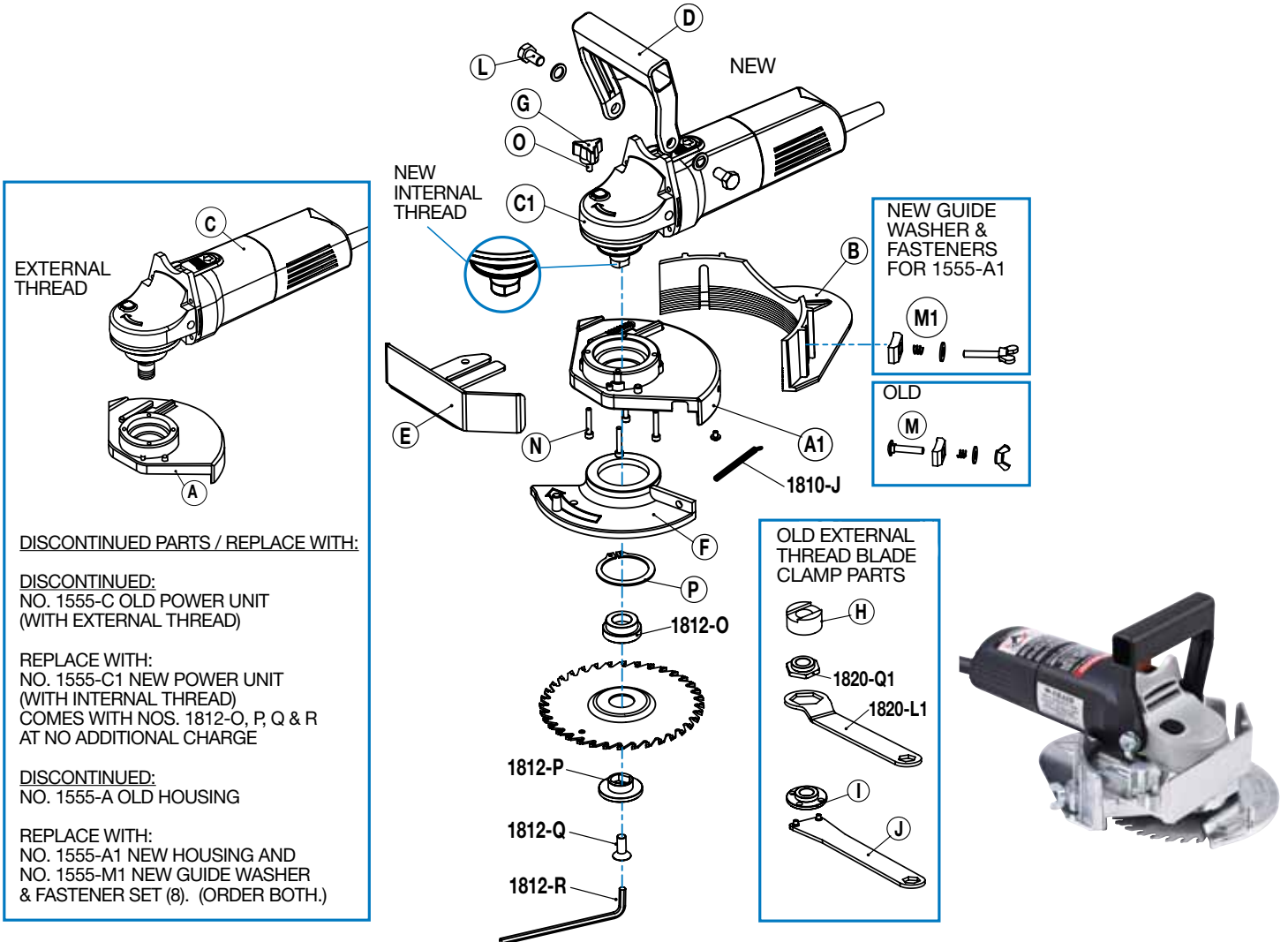


## No. 555 Multi-Undercut Saw



**DISCONTINUED PARTS / REPLACE WITH:**

**DISCONTINUED:**  
NO. 1555-C OLD POWER UNIT  
(WITH EXTERNAL THREAD)

**REPLACE WITH:**  
NO. 1555-C1 NEW POWER UNIT  
(WITH INTERNAL THREAD)  
COMES WITH NOS. 1812-O, P, Q & R  
AT NO ADDITIONAL CHARGE

**DISCONTINUED:**  
NO. 1555-A OLD HOUSING

**REPLACE WITH:**  
NO. 1555-A1 NEW HOUSING AND  
NO. 1555-M1 NEW GUIDE WASHER  
& FASTENER SET (8). (ORDER BOTH.)

**NO. 555 MULTI-UNDERCUT SAW**

**Order No. Description**

- 1555-A1 NEW Housing
- 1555-B Height Adjuster
- 1555-C1\*\* NEW Power Unit,  
120 volts
- 1555-D Plastic Handle
- 1555-E Depth Gauge
- 1555-F Blade Guard
- 1555-G Three-Arm Knob
- 1555-H\* Blade Driver
- 1555-I\* OLD Blade Clamp Nut
- 1555-J\* OLD Spanner Wrench
- 1555-K Brush Set (2 - not shown)
- 1555-L Handle Fastener Set (4)

- 1555-M OLD Guide Washer &  
Fastener Set (10)
- 1555-M1 NEW Guide Washer &  
Fastener Set (8)
- 1555-N Housing Fastener Set (4)
- 1555-O Set Screw
- 1555-P Snap Ring
- 1555-R Carrying Case (not shown)
- 1555-S Brush Holder Assembly (2)  
(not shown)
- FOR BLUE HOUSING SAWS (OLD)
- 1555-V Toggle Switch (not shown)
- FOR BLACK HOUSING SAWS (NEW)
- 1555-V1 Marquardt Switch (not shown)
- 1555-W Power Cord Strain Relief  
(not shown)

- 1555-X Return Spring Screw Only  
(not shown)
- 1555-Z Power Cord (not shown)
- 1810-J Blade Guard Spring
- 1812-O\*\* Blade Spacer
- 1812-P\*\* Blade Clamp
- 1812-Q\*\* Blade Screw
- 1812-R\*\* Allen® Wrench
- 1820-L1\* OLD Hex Blade Wrench
- 1820-Q1\* OLD Hex Blade Clamp Nut
- \* For saws with 1555-C power unit  
(spindle w/external thread)
- \*\* For saws with 1555-C1 power unit  
(spindle w/internal thread) produced  
after 12/30/2005