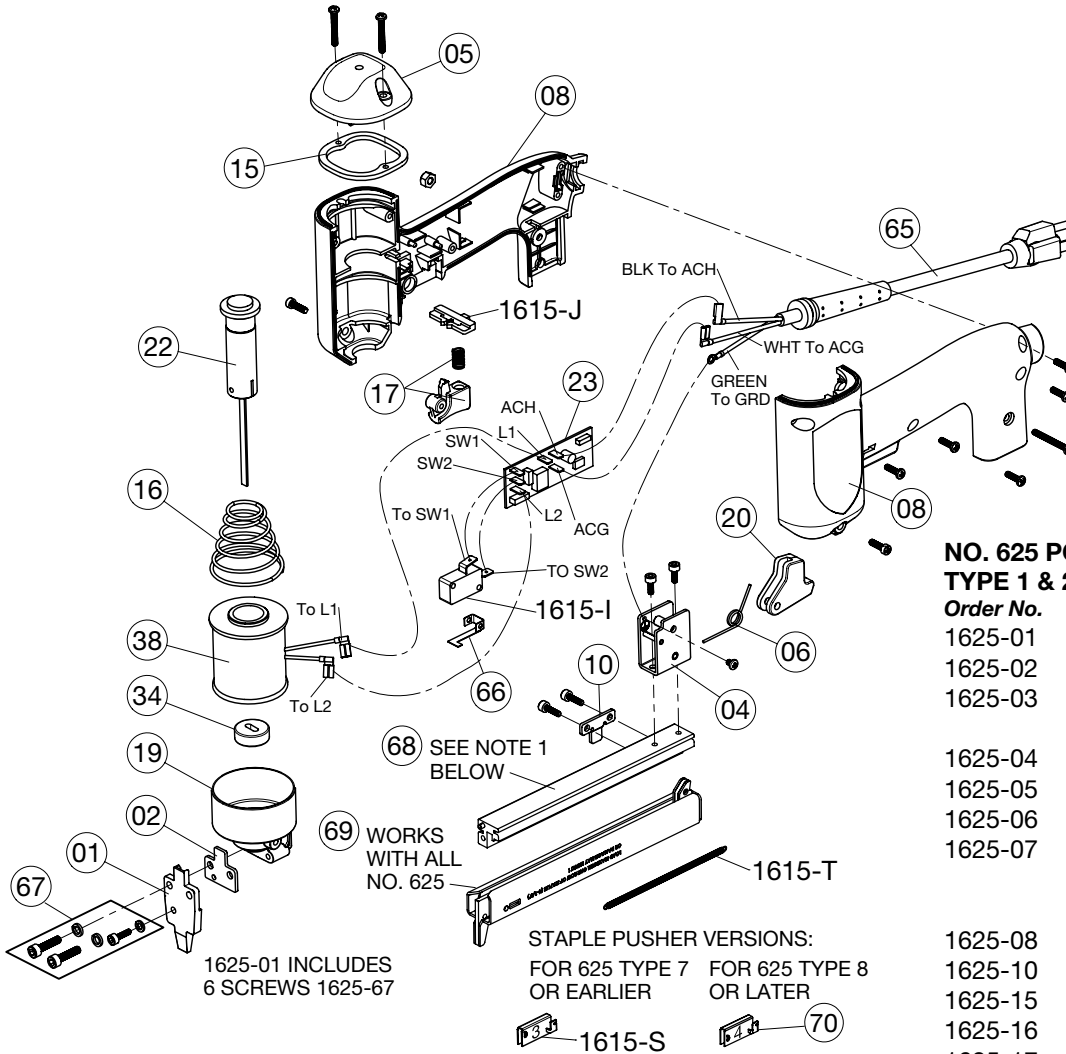


No. 625 Power Tacker Type 3 or Later



NO. 625 POWER TACKER TYPE 3 OR LATER TYPE 1 & 2 RETURN TO CRAIN FOR REPAIR.

Order No.	Description
1625-01	Front Guide & Screws
1625-02	Front Cover
1625-03	Alum. Channel & Scr.-discont. see Part No. 1625-68 & Note 1 on diagram.
1625-04	Rear Bracket & Screws
1625-05	Aluminum Cap & Screws
1625-06	Torsion Spring
1625-07	Magazine-discont. use Part No. 1625-69 Magazine below - backwards compatible.
1625-08	Handle Set and Screws
1625-10	Stop & Screws
1625-15	Retaining Ring & Screws
1625-16	Driver Spring
1625-17	Trigger and Spring
1625-19	Coil Housing & Screws
1625-20	Release Button
1625-22	Driver Assembly
1625-23	Control Board
1625-34	Bumper
1625-38	Staple Coil
1625-41	Carrying Case (not shown)
1625-65	Power Cord & Strain Relief
1625-66	Trigger Depressor Spring
1625-67	Front Guide Screws Only (6)
1625-68	Aluminum Channel & Screws
1625-69	Magazine
1625-70	Staple Pusher
1615-I	Micro Switch
1615-J	Trigger Lock
1615-S	Staple Pusher - Type 7 or earlier
1615-T	Pusher Spring

