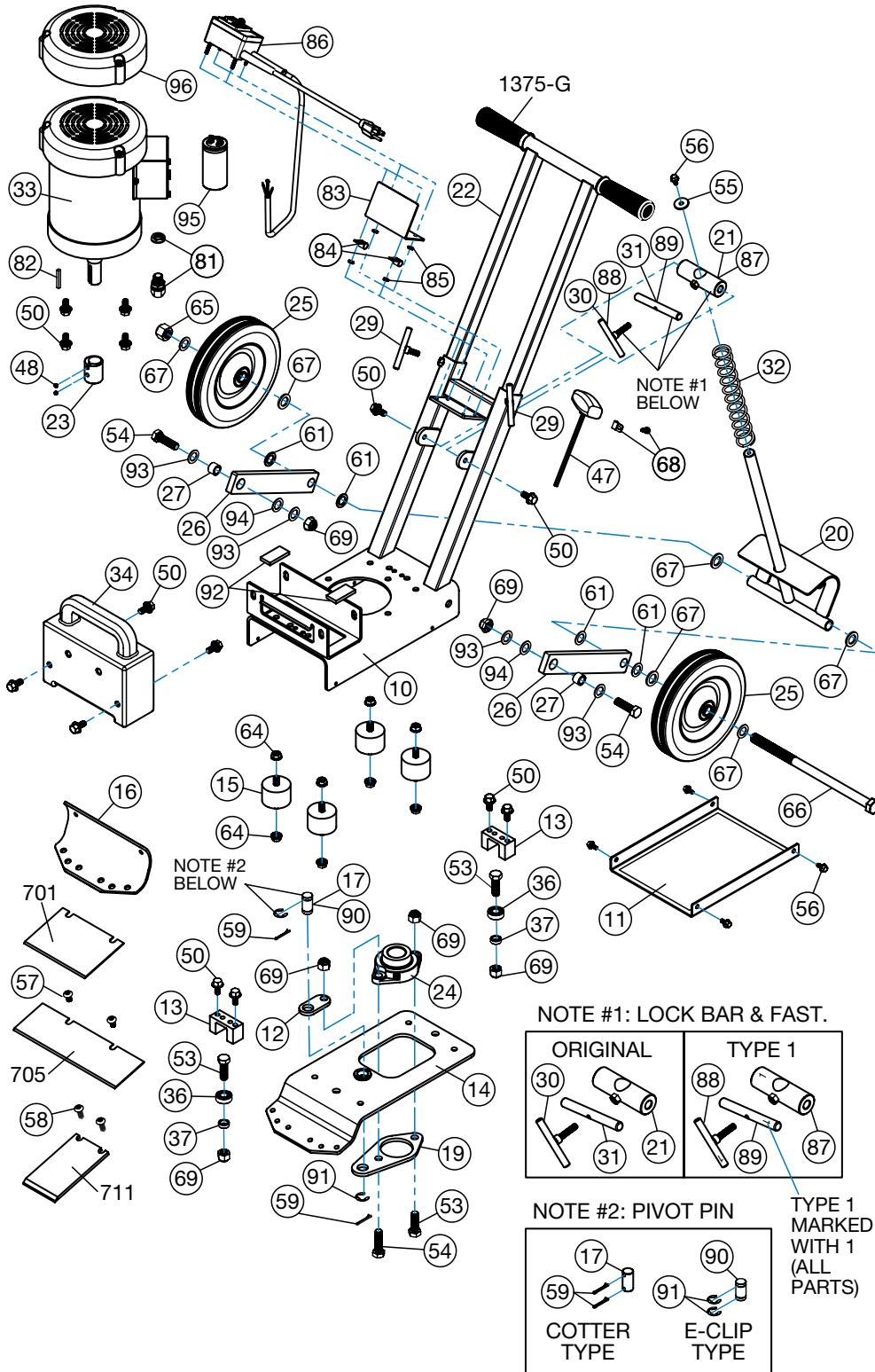


No. 710 Power Stripper



Order No.	Description
1710-10	Main Body
1710-11	Cover and Foil
1710-12	Bearing Block Connector
1710-13	Guide Channel
1710-14	Blade Carrier
1710-15	Rubber Damper
1710-16	Blade Clamp
1710-17	Pivot Pin w/Cotter Pins (2)
1710-19	Pivot Plate
1710-20	Wheel Angle Adjuster Rod
1710-21	Wheel Angle Lock Bar, Original
1710-22	Extendable Handle & Grips
1710-23	Eccentric
1710-24	Bearing Block
1710-25	8" Solid Rubber Wheel
1710-26	Wheel Bracket
1710-27	Wheel Bracket Spacer
1710-29	Short T-Bolt
1710-30	Long T-Bolt, Original
1710-31	Jam Nut Bar, Original
1710-32	Angle Adjuster Spring
1710-33	Motor 1 HP 120V
1710-34	Weight Block
1710-36	Ball Bearing
1710-37	Bearing Spacer
1710-47	T-Handle Wrench
1710-48	Eccentric Set Screw (2)
1710-50	Weight & Guide Channel Screw
1710-53	Bearing Screw
1710-54	Wheel Bracket Screw
1710-55	Wheel Angle Adjuster Washer
1710-56	Angle Adjuster Screw
1710-57	Blade Clamp Screw (Short - 2)
1710-58	Spud Blade Clamp Screw (Long - 2)
1710-59	Cotter Pin Set (2)
1710-61	Wheel Nylon Washer Set (4)
1710-64	Rubber Damper Hex Lock Nut Set (2)
1710-65	Wheel Axle Hex Lock Nut
1710-66	Wheel Axle Bolt
1710-67	Wheel Axle Washer Set (6)
1710-68	T-Handle Wrench Holder & Screw
1710-69	Wheel Bracket Hex Lock Nut
1710-81	Motor Cable Connector
1710-82	Spindle Key
1710-83	Switch Shield Plate
1710-84	Loop Clamp Set (2)
1710-85	Switchbox Nuts Set (4)
1710-86	Cord, Switch & Mounting Screws
1710-87	Wheel Angle Lock Bar, Type 1
1710-88	Long T-Bolt, Type 1
1710-89	Jam Nut Bar, Type 1
1710-90	Pivot Pin w/Grooves & E-Clips
1710-91	3/4" E-Clips (2)
1710-92	Rubber Weight Pads (2)
1710-93	Steel Wheel Bracket Washer (4)
1710-94	Plastic Wheel Bracket Washer (2)
1710-95	Motor Capacitor
1710-96	Motor Fan Top Cover w/Screws
1375-G	Handle Grip Only
701	4" x 6" Resilient Concrete Blade
705	3" x 10" Multi-Purpose Blade
711	Spud Blade

