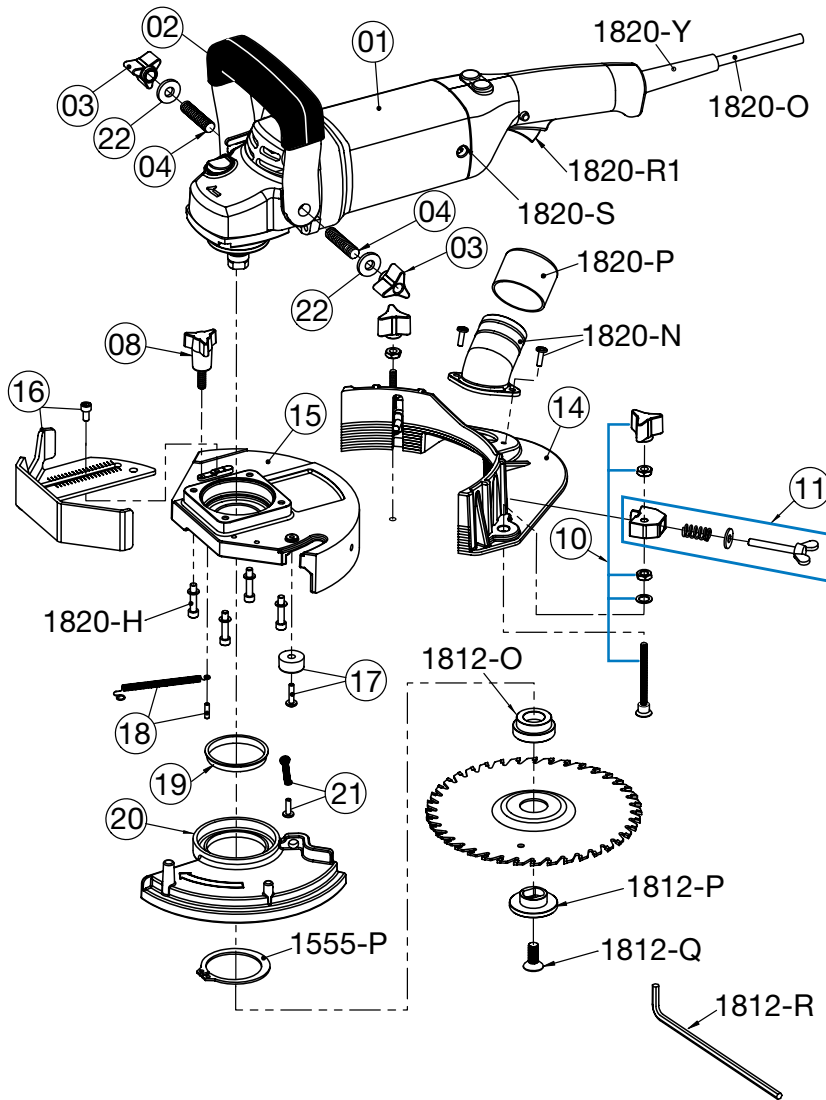


No. 825 Heavy-Duty Undercut Saw



NO. 825 HEAVY-DUTY UNDERCUT SAW

Order No.	Description
1825-01	Power Unit, 120 V
1825-01V	Power Unit, 220V (Discontinued)
1825-02	Ratchet Handle
1825-03	Handle Three-Arm Knobs (2)
1825-04	Handle Threaded Studs (2)
1825-08	Depth Gauge Three-Arm Knob
1825-10	Height Adjuster Three-Arm Knob & Fasteners (5)
1825-11	Guide Washer & Fasteners (4)
1825-14	Height Adjuster
1825-15	Housing
1825-16	Depth Gauge & Fasteners (2)
1825-17	Stopper & Screw
1825-18	Hooked Spring & Screw
1825-19	Blade Guard Sleeve
1825-20	Blade Guard
1825-21	Flared Spring & Screw
1825-22	Handle Washers (2)
1820-H	Housing Fastener Set (4)
1820-N	Dust Port w/Screws (4)
1820-O	Power Cord (not shown)
1820-P	Dust Port Cap
1820-R1	Switch Type B, Black
1820-S	Brushes Set
1820-V	Brush Holder Assembly plus Brushes (not shown)
1820-Y	Strain Relief Only
1555-P	Snap Ring
1812-O	Blade Spacer
1812-P	Blade Clamp
1812-Q	Blade Screw
1812-R	5mm Allen® Wrench