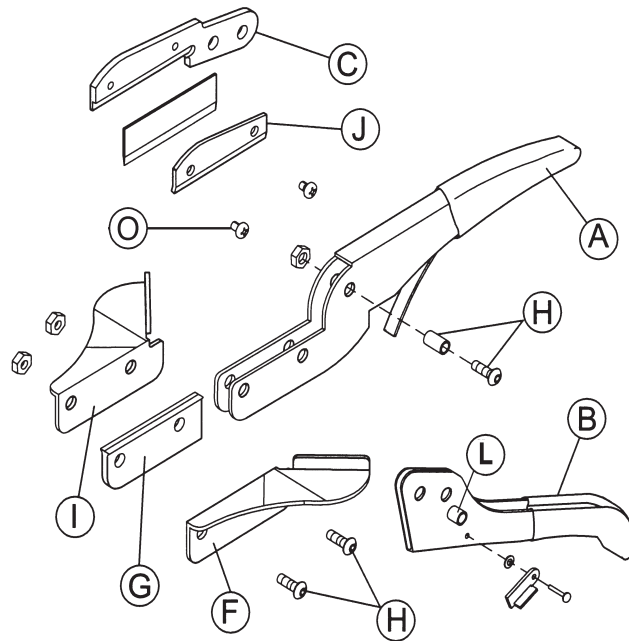


No. 880 Vinyl Mitre (Steel anvil halves with plastic center)



NO. 880 VINYL MITRE (STEEL ANVIL HALVES WITH PLASTIC CENTER)

<i>Order No.</i>	<i>Description</i>
1880-A	Top Handle Complete
1880-B	Bottom Handle Complete
1880-C	Blade Holder
1880-F	Left Table Half
1880-G	Plastic Base Plate
1880-H	Fastener Set
1880-I	Right Table Half
1880-J	Blade Clamp
1880-L	Plug
1880-O	Blade Clamp Screws (2)

