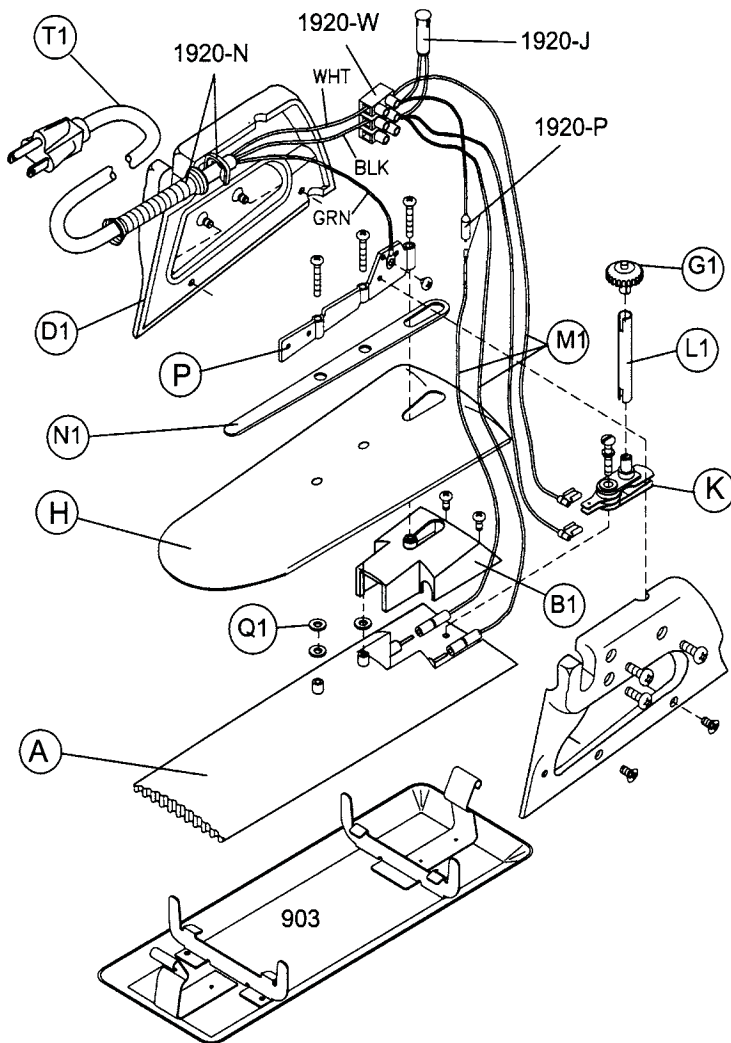


No. 900 Heat Bond Iron U-Shaped Handle (Green or Black)


NO. 900 HEAT BOND IRON

| <i>Order No.</i> | <i>Description</i> |
|---|--|
| 903 | 3" Universal Iron Tray |
| 1900-A | Grooved Sole Plate - Discontinued |
| 1900-AS | S/C Grooved Sole Plate - Discontinued |
| 1900-AV | 220V Grooved Sole Plate - Discontinued |
| 1900-AVSC | 220V Grooved S/C Sole Plate - Discontinued |
| 1900-B1 | Top Cover - Discontinued |
| 1900-D1 | 2-piece Handle |
| 1900-G1 | Knob |
| 1900-H | Heat Shield - Discontinued |
| 1900-K | Adjustable Thermostat |
| 1900-L1 | Extending Tube - Discontinued |
| 1900-M1 | Wiring Harness - Discontinued |
| 1900-N1 | Handle Gasket |
| 1900-P | Handle Support & Screws (3) - Discontinued |
| 1900-Q1 | Steel Washers (3) - Discontinued |
| 1900-T1 | Power Cord - Discontinued |
| 1900-U | Flat Sole Plate - Discontinued |
| 1900-US | S/C Flat Sole Plate - Discontinued |
| 1900-UV | 220V Flat Sole Plate - Discontinued |
| 1900-UVSC | 220V Flat S/C Sole Plate - Discontinued |
| THESE PARTS ARE COMMON TO THE NO. 920 | |
| 1920-J | Heating Indicator Light (red) |
| 1920-N | Pigtail Spring & Clip |
| 1920-P | Fuse and Connectors (2) |
| 1920-W | Terminal Block |
| Old style for irons produced before 1/24/05 | |

