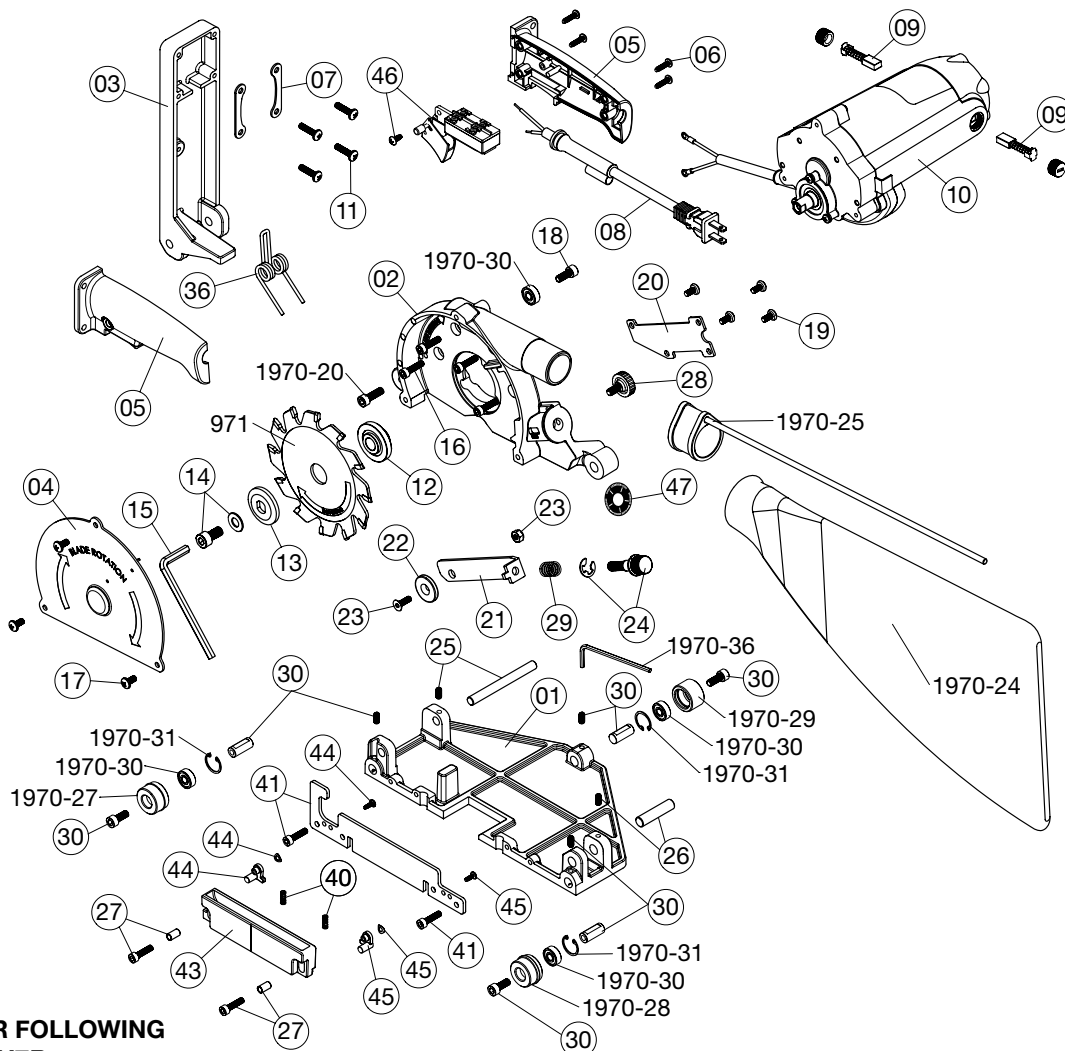


No. 968 Floor Following Power Groover


NO. 968 FLOOR FOLLOWING POWER GROOVER

Order No.	Description	1968-17	1968-18	1968-19	1968-20	1968-21	1968-22	1968-23	1968-24	1968-25	1968-26	1968-27	1968-28	1968-29	1968-30	1968-36	1968-38	1968-40	1968-41	1968-43	1968-44	1968-45	1968-46	1968-47	Common parts with 970:
1968-01	Groover Base																								1970-20
1968-02	Blade Housing																								1970-24
1968-03	Pivoting Arm																								1970-25
1968-04	Blade Cover																								1970-27
1968-05	Handle Set																								1970-28
1968-06	Handle Screws (4)																								1970-29
1968-07	Handle Bracket (2)																								1970-30
1968-08	Power Cord Set																								1970-31
1968-09	Brushes Set (2)																								1970-36
1968-10	120V Power Unit																								1970-29
1968-11	Handle Bracket Screws (4)																								1970-30
1968-12	Blade Spacer																								1970-31
1968-13	Blade Clamp																								1970-36
1968-14	Blade Screw & Washer																								1970-28
1968-15	Hex Wrench																								1970-30
1968-16	Blade Housing Screws (4)																								1970-31
																									1970-36
																									1970-36