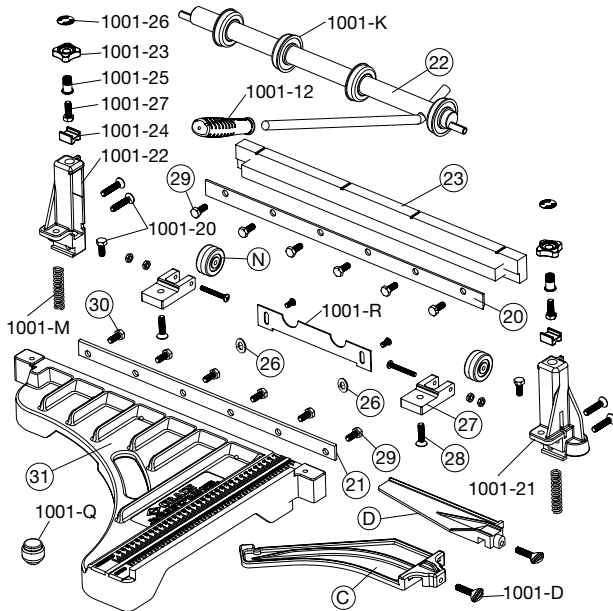
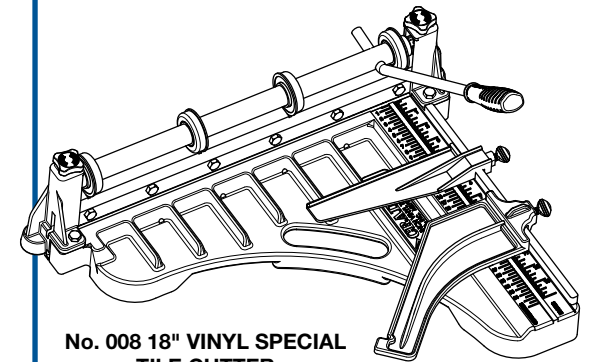


**No. 008 18" VINYL SPECIAL TILE CUTTER
REPLACEMENT PARTS:**

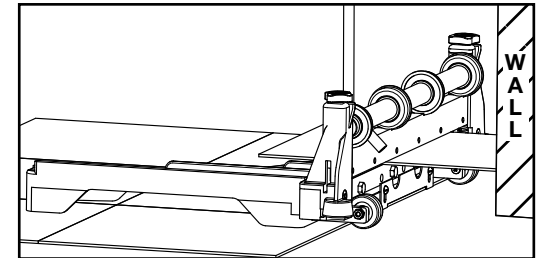


Order No.	Description
1008-20	Top Blade
1008-21	Bottom Blade
1008-22	Crankshaft Handle & Grip
1008-23	Blade Carrier
1008-26	Floor Guide Spacers (2)
1008-27	Wheel Bracket (1 each)
1008-28	Wheel Bracket Screw
1008-29	Blade Screw Set (12)
1008-30	Blade Screw (1 only)
1008-31	Base Casting
1008-C	Diag. Cut Guide & Screw
1008-D	Straight Cut Guide & Screw
1008-N	Roller Wheel & Fasteners
PARTS COMMON TO NO. 001:	
1001-12	Handle Grip Only
1001-20	Standard Screw Set (3X)
1001-21	Right Hand Standard
1001-22	Left Hand Standard
1001-23	Dial Knob (1 each)
1001-24	Cam Bearing (1 each)
1001-25	Threaded Bushing (1 each)
1001-26	Knob Label (1 each)
1001-27	Bushing Screw (1 each)
1001-D	Tile Guide Wing Screw (1 each)
1001-K	Crankshaft Ball Bearing (1 each)
1001-M	Return Spring (1 each)
1001-Q	Ball Caster Only
1001-R	Floor Guide & Screws (2)

INSTRUCTION MANUAL FOR



**No. 008 18" VINYL SPECIAL
TILE CUTTER**



CRAIN

**No. 008
18" VINYL SPECIAL TILE CUTTER**



Made in
America

CRAIN CUTTER CO., INC.

Milpitas, CA 95035

TELEPHONE (408) 946-6100

FEATURES:

- Two 18 3/4" blades that will cut an 18" tile straight or a 12" x 12" tile diagonally.
- Built-in low profile blade height adjustment knobs.
- Two bed-mounted tile guides (straight and diagonal) with precision scale (ruler) in both inches and centimeters.
- Self-measuring floor guide for repeat cuts at walls.

MATERIALS THAT CAN BE CUT:

This tool cuts most resilient vinyl floor tiles.

TOP BLADE ADJUSTMENT:

This cutter is factory calibrated to "shear-cut". A properly set shear-cut ensures an easy and accurate cut.

To set the proper shear-cut in the field, first, swing the handle to an upward position. Next, place a sample tile to be cut under the top blade of the cutter. Turn the left hand blade height adjustment knob until the top blade is almost touching the tile. Lastly, turn the right hand blade height adjustment knob until there is a gap on the right side that is 2 times wider than on the left side. (See figure 1.)

Example: If the tile to be cut is 1/8" thick, then the gap on the left side will be slightly more than 1/8", and the gap on the right side should be about 1/4".

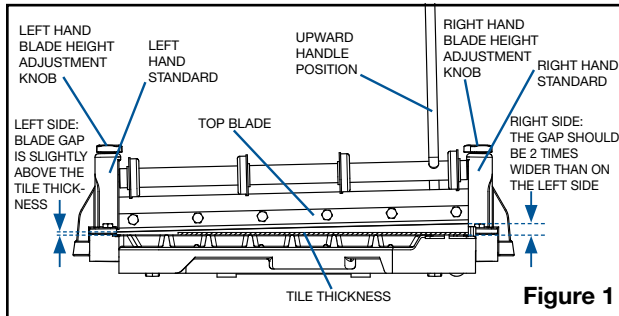


Figure 1

BED-MOUNTED TILE GUIDES:

A bed-mounted tile guide can be set relative to the scale for repeat straight cuts at a desired length. The portion of the tile remaining on the bed of the cutter after the cut will equal the length setting on the scale. The straight guide is shown mounted on the bed of the cutter in figure 2.

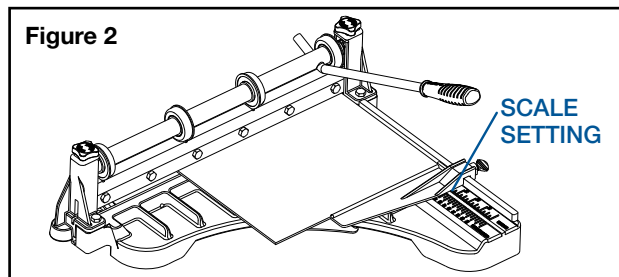


Figure 2

BED-MOUNTED TILE GUIDES, Continued:

The diagonal guide is shown mounted on the bed of the cutter in figure 3.

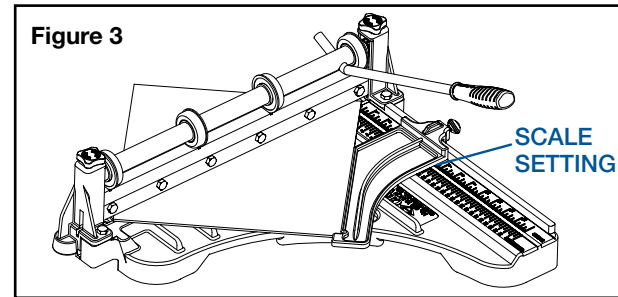


Figure 3

SELF-MEASURING FLOOR GUIDE:

To save time, the cutter also has a floor guide that can be set for self-measuring cuts. To use, lower the floor guide and set it directly against the edge of the last full field tile. NOTE: extend the floor guide far enough to lift the casters out of any glue on the floor. Place the tile to be cut **upside down** in the cutter, and up against the wall. Push the handle down to make a cut. (See figure 4.)

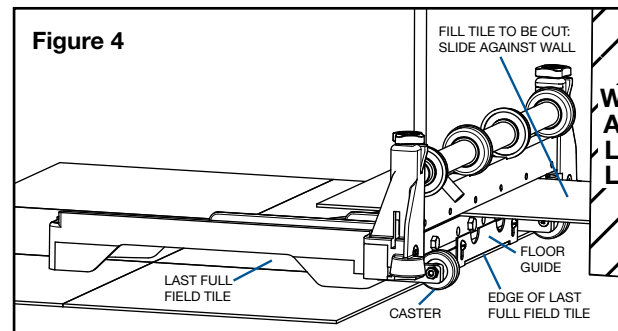


Figure 4

HOW THE FLOOR GUIDE WORKS:

With the floor guide against the last field tile, and the tile slid all the way against the wall, a cut piece (dimension "A") should be equal to the space to be filled (dimension "B"). (See figure 5.)

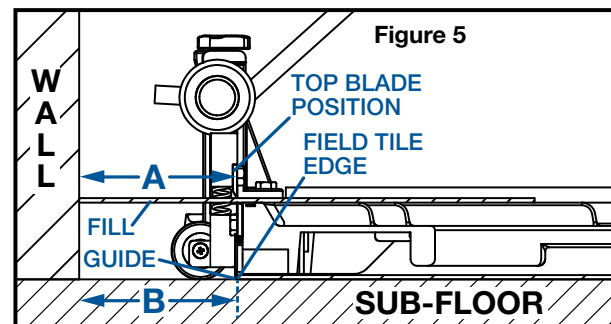


Figure 5

BLADE CHANGING:

BOTTOM BLADE: This blade can be removed easily by loosening the 6 hex-head bolts on the rear of the cutter.

TOP BLADE: Before removing the top blade, the left and right adjustment knobs must be turned for maximum height. Next, swing the handle to upward position. Remove the 6 hex-head bolts holding the top blade. The top blade should then be loose. Slide the top blade through the blade removal slot on either the left or right hand standard, and remove it. (See figure 6.) Reverse this order for installation.

Note: Occasionally, the top blade will stick inside the slot of the standards. If this is the case, use a flat screw driver and tap the blade at a screw hole to push it out of the slot.

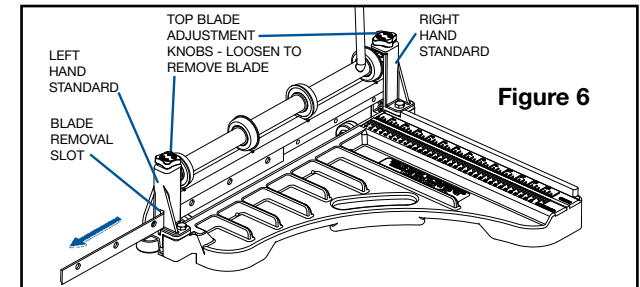


Figure 6

GUARANTEE

This TILE CUTTER is guaranteed to be free of defects in workmanship or quality of materials for a period of 1 year.

Any parts of this tool found defective subject to the guarantee will be replaced at no charge. Credit in full or part cannot be extended by the distributor, nor will new tools be given as replacements or loaners.

Tools subject to this warranty must be accompanied by same, returned freight PREPAID to Milpitas, CA, and must be in assembled condition.