

HANDLE ADJUSTMENT:

The handle is designed to fold down for trimming under toe spaces (Figure 10). To adjust, loosen the three-arm knob at the handle bolt, then press down on the top of the handle. You can now rotate the handle. Set the handle at the desired angle, and retighten the knob.

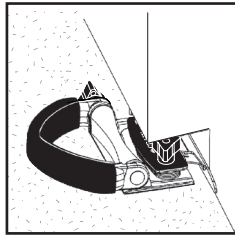


Figure 10

OPERATING:

1. To insert the trimmer into the carpet, first make a starter cut at a corner of the room. At a location two or three feet from the corner, use a carpet knife to make the starter cut about six inches long, leaving the excess carpet running up the wall.

2. Insert the trimmer into the starter cut. Keep the bottom of the trimmer flat against the face of the carpet, and the bottom edge of the wall runner at the junction of the floor and the wall (Figure 11).

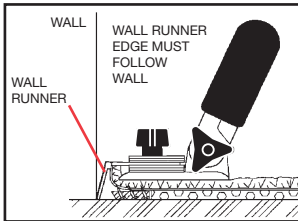


Figure 11

3. Push the trimmer along the wall with your outside hand. Using your inside, or wall-side hand, pull the carpet being trimmed (Figure 12). The pulling tension on the cut-off piece makes trimming easier.

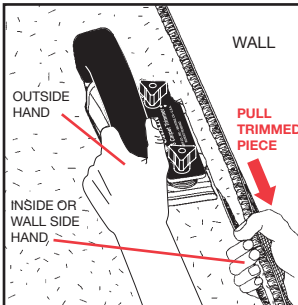
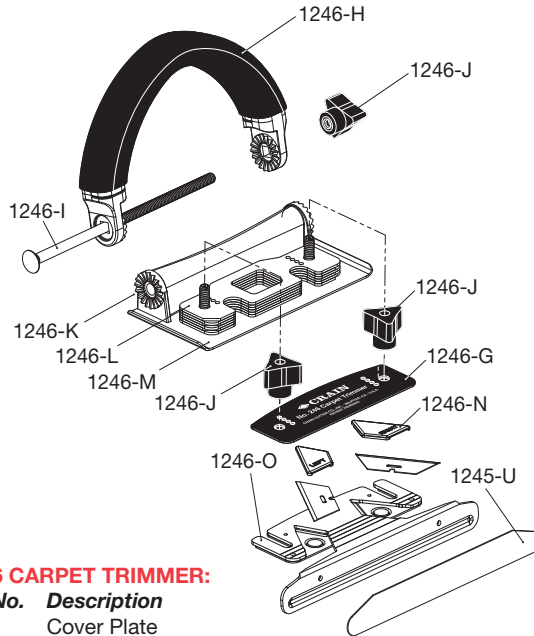


Figure 12

4. For a clean, smooth, finished edge, the excess carpet is tucked into the gully between the wall and the tack strip with a stair tool.

REPLACEMENT PARTS:



No. 246 CARPET TRIMMER:

Order No.	Description
1246-G	Cover Plate
1246-H	Ratchet Handle
1246-I	Carriage Bolt
1246-J	Three Arm Knob (1 Only)
1246-K	Handle Bracket & Screws
1246-L	Universal Shim Set
1246-M	Base w/ Posts (2) & Screws (2)
1246-N	Blade Clamp Set (2)
1246-O	Wall Runner
PARTS COMMON WITH THE No. 245	
1245-U	Runner Pad

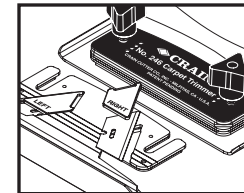
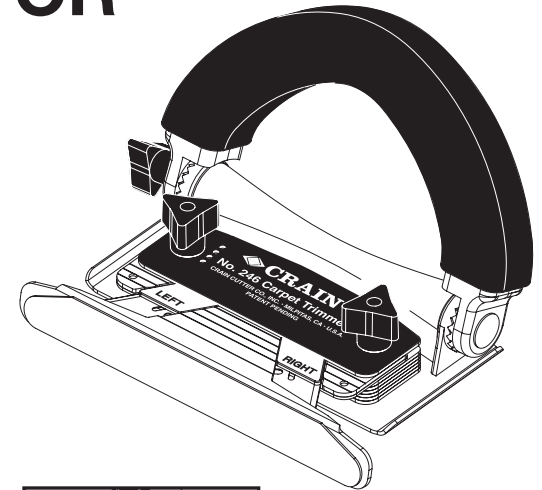
GUARANTEE

This Carpet Trimmer is guaranteed to be free of defects in workmanship or quality of materials for a period of 36 months.

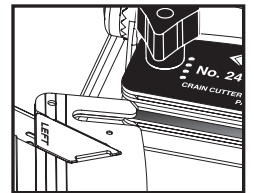
Any parts of the tool found to be defective subject to the guarantee will be replaced at no charge. Credit in full or part cannot be extended by the distributor, nor will new tools be given as replacements or loaners.

Tools subject to this warranty must be accompanied by same, and returned freight PREPAID to Milpitas, CA, and must be in assembled condition.

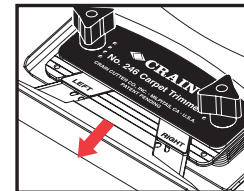
INSTRUCTION MANUAL FOR



QUICK BLADE CHANGE



FAST REINSERTION



FAST THROAT ADJUSTMENT



No. 246 CARPET TRIMMER

CRAIN CUTTER CO., INC.

1155 Wrigley Way, Milpitas, CA 95035
TELEPHONE (408) 946-6100

FEATURES:

- Top loading blade holders allow fast blade change.
- Simple shim adjustment for height of cut. Shims do not need to be removed to adjust cutting height. Built-in lifter points on the wall runner make it easy to separate the shims and re-insert the blade holder.
- Four position adjustable throat to accommodate varying pile height and density.
- Ratchet handle folds down for trimming under toe-space areas.
- Left and right blades permit trimming in both directions.

ADJUSTING THE TRIMMER:

BLADE SELECTION:

This tool works best using trimmer blades (Crain No. 184) Trimmer blades are beveled on the top side of the blade only (Figure 1). It is important *always* to install trimmer blades with the beveled edge of the blade facing up.

If trimmer blades are installed with the beveled edge down, this produces a wedging action that will cause the trimmer to rise, which will produce a longer cut than desired.

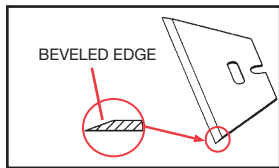


Figure 1

Using utility blades will also cause inaccurate trimming, because utility blades are beveled on both sides.

BLADE CHANGING - REMOVING THE WALL RUNNER:

Loosen both three-arm knobs on the top of the shim deck. Lift the wall runner slightly and then pull out to remove it from the shim deck (Figure 2).

1. LOOSEN THREE ARM KNOBS

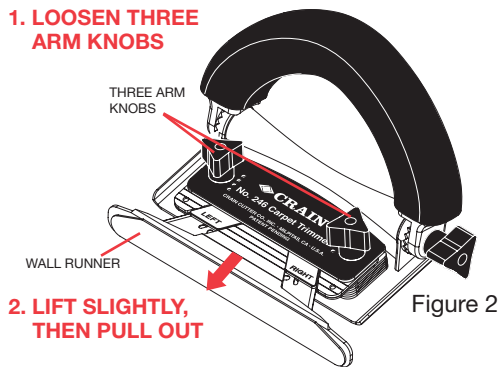


Figure 2

USE ONLY TRIMMER BLADES!
ONLY ONE BEVELED EDGE FACING UP!

BLADE REMOVAL:

Lift a blade clamp out of its blade pocket. Afterwards, you may remove that blade (Figure 3).

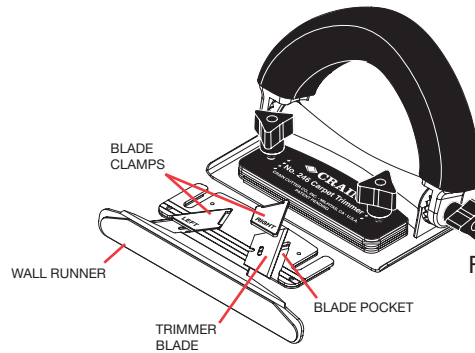


Figure 3

INSERTING THE NEW BLADE:

Place a new blade bevel side up in the blade pocket, and push it forward as far as possible until it contacts the inner edge of the wall runner. After pushing the blade forward, a rectangular hole in the back of the blade pocket becomes visible (Figure 4). Place the blade clamp back in the blade pocket with the indent in the back edge of the blade clamp seated in the rectangular hole (Figure 5).

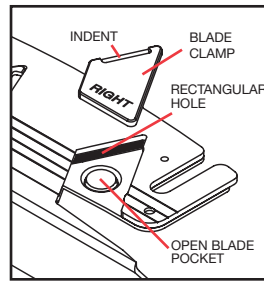


Figure 4 - Blade Removed

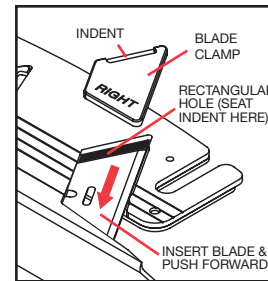
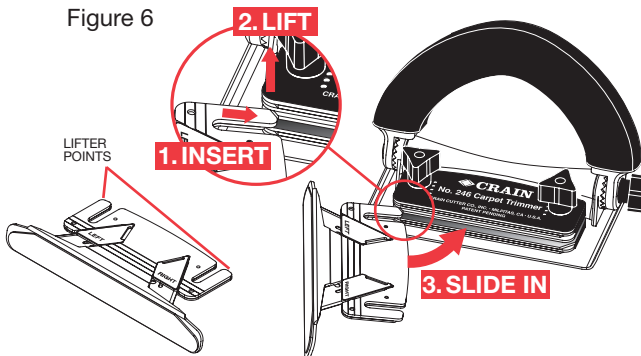


Figure 5 - Blade Inserted

WALL RUNNER REINSERTION AND BLADE HEIGHT:

Insert a lifter point of the wall runner into a lifter socket in the shim deck that corresponds to the desired height of cut (Figure 6). Lifting a shim at the corner allows the wall runner to be easily reinserted by sliding it between shims.

Figure 6



THROAT ADJUSTMENT:

Throat adjustment adjusts the throat of the trimmer to hold the carpet upright so that the desired amount of carpet will be trimmed. As you are re-inserting the wall runner, you can seat it into one of the four sockets which are visible from the top of the black cover plate (Figure 7). The four "throat adjustment lines" inscribed on the top of the wall runner also provide a visual reference. Make sure that the throat adjustment line which is selected is set parallel to the front edge of the shim deck for proper operation of the trimmer.

#1 IS NARROWEST THROAT #4 IS WIDEST THROAT

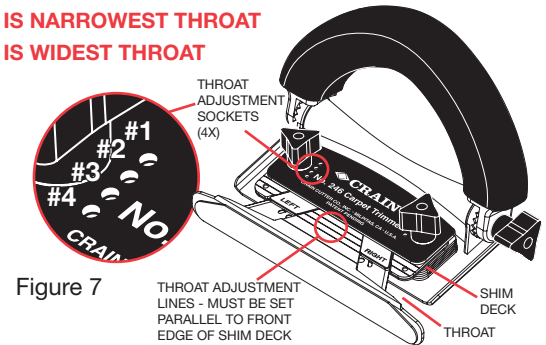


Figure 7

OPTIMIZING BLADE HEIGHT AND THROAT ADJUSTMENT:

The amount of carpet remaining after trimming is determined by BOTH the blade height AND the throat opening.

The THROAT OPENING holds the carpet in the desired position during the trimming process (Figure 8).

The BLADE HEIGHT determines the elevation off the carpet pile at which the blade will cut (Figure 9).

For example: A wide opening (throat position at #4 hole) used on a thin carpet will give you a shorter cut, because the carpet is not held upright, but allowed to lay at an angle (Figure 9).

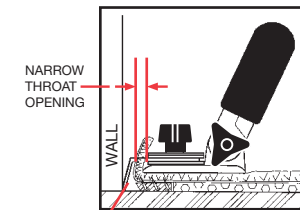


Figure 8
Narrow throat opening holds carpet upright, allowing a longer cut.

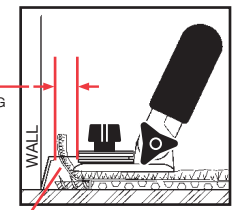


Figure 9
Wide throat opening allows carpet to lay at an angle, making a shorter cut.

The best multi-purpose setting for trimming most of today's carpets is:

THROAT OPENING: AT #2 HOLE
BLADE HEIGHT: 4 SPACERS

(SEE BACK FOR MORE INSTRUCTIONS.)