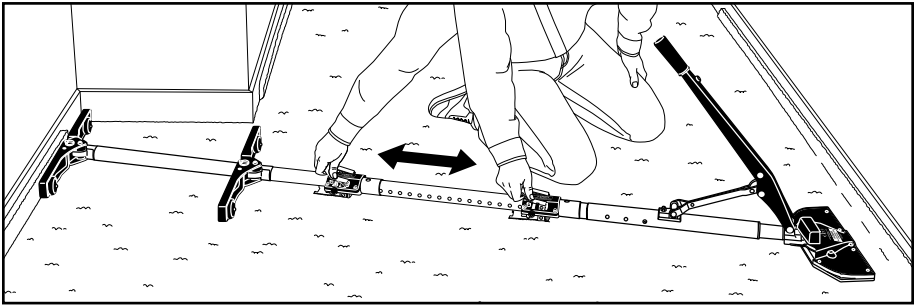
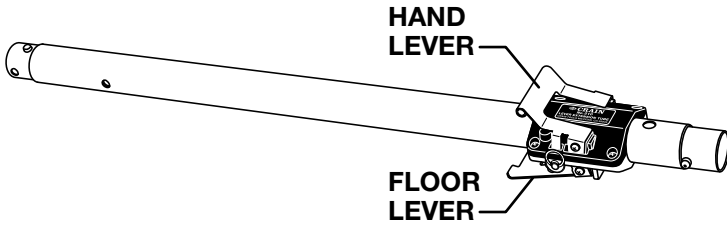
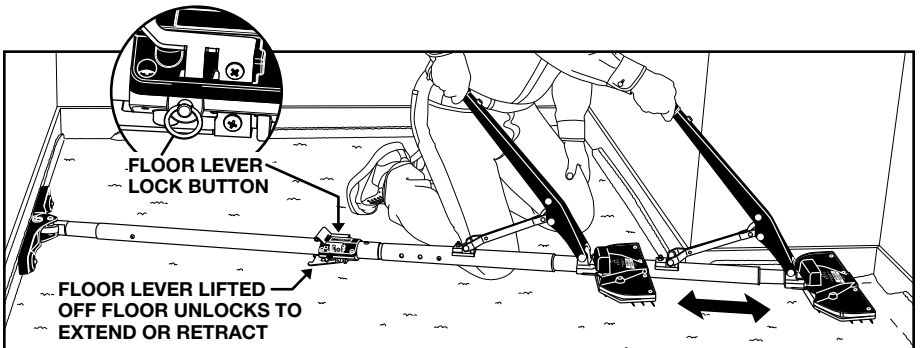




# NO. 510 LEVER EXTENSION TUBE INSTRUCTIONS



The Lever Extension Tube can be extended or retracted from the tail by raising the hand lever. The tubes will also always extend automatically if they are pushed backward.

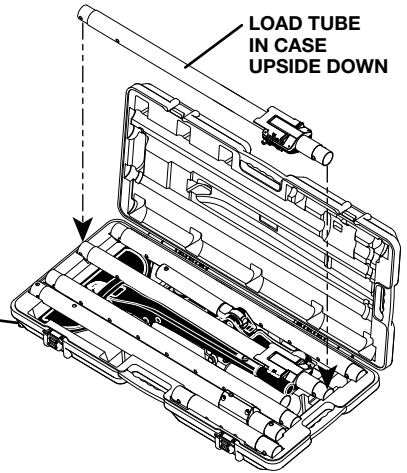


The Lever Extension Tube can be extended or retracted by raising the floor lever off the floor. Note: the floor lever lock button must be pulled to the OUT position.

## PUTTING THE LEVER EXTENSION TUBE IN THE CASE:

If you have a new style driving head carrying case (with wheels), the No. 510 will fit in the head case by turning it upside down and placing in the case in the position that is shown on the right.

DRIVING HEAD CASE WITH WHEELS



## HELPFUL TIPS:

The floor lever works best when used with at least one other extension tube (Crain No. 502). The floor lever also works best on tall cut pile carpet. To disable the floor lever, push the floor lever lock button to the IN position.

## No. 510 LEVER EXTENSION TUBE PARTS

Order No.	Description
1500-P	Spring Clip
1501-C	Inside Tube
1501-D	Outside Tube
1501-G	Springs (2)
1510-10	Bottom Housing
1510-11	Top Housing
1510-12	Floor Lever
1510-13	Hand Lever
1510-14	Teeter Set (2)
1510-15	Lock Pin
1510-16	Plunger Set (2)
1510-17	Bushing & Screw Set (2)
1510-19	Top Lever Spring
1510-20	Bottom Lever Spring Set (2)
1510-21	Lock Pin Ring
1510-22	Ball & Spring Set
1510-23	Top Housing Screw Set (4)
1510-24	Single Button Spring Clip

