

- Plunge to appropriate depth. Always move the saw from left to right only.
- Do not force the saw; let blade cut at highest RPM possible.
- Remove the saw from the cut, and release the switch to stop. When the switch is released, the motor and the blade coast to a stop. **KEEP HANDS AWAY FROM THE BLADE. THE BLADE CAN CUT YOU AS LONG AS IT IS TURNING.**
- Do not remove a hand from the handles to clear debris until the saw is moved away and the blade is stopped.

INSIDE CORNER CUTTING:

Cut towards the corner at 45° angle until the depth gauge meets the right wall (see Figure 9). Switch off and unplug saw. Wait for blade to stop. Remove depth gauge and continue the cut (see Figure 10). Push the saw into the corner as shown until the housing meets both walls (see Figure 11).

WARNING: Depth gauge covers the blade and makes the saw safer to use. Always unplug saw and re-install depth gauge when you are done with the inside corner cutting.

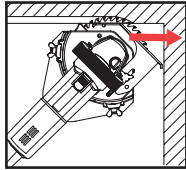


Figure 9

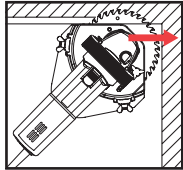


Figure 10

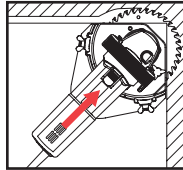


Figure 11

MAINTENANCE:

If the saw is dropped, the blade guard may be bent or otherwise damaged, restricting full return. Sawdust that accumulates behind the blade guard will cause it to become clogged, especially drywall dust. Check operation of the blade guard before each use. Do not use saw if the blade guard does not operate properly. When not in use, store saw in the custom carrying case. If the switch malfunctions, the saw motor may continue running even after being switched off. Turn off by unplugging. Repair the switch immediately! Do not use the saw with a faulty switch.

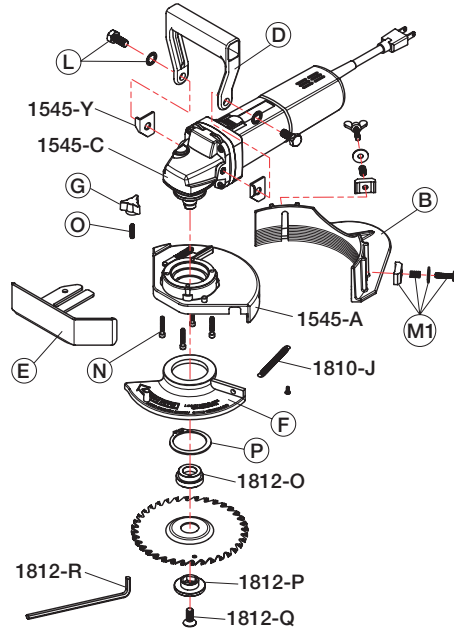
SPECIFICATIONS:

POWER UNIT	Model No. 545
Voltage:	120VAC, 60 HZ.
Amperes:	7.0 Amps
No Load Speed:	10,000 RPM
Max. Depth Adj:	1-1/4"
Max. Height Adj:	1"
Toe Space Specifications	
Minimum Height:	3-1/2"
Maximum Depth:	3-1/2"
Gross Weight:	11 LBS.
Replacement Blade:	#556 Carbide-Tipped Blade

CRAIN CUTTER CO., INC.

Milpitas, CA 95035 TEL: (408) 946-6100

REPLACEMENT PARTS:



Order No.	Description	Order No.	Description
1545-A	Housing	1555-R	Carrying Case (not shown)
1545-C	Power Unit, 120 volts	1555-S	Brush Holder Assembly (2) (not shown)
1545-Y	Handle Stops (2)	1555-V1	Marquardt Switch (not shown)
1555-B	Height Adjuster	1555-W	Power Cord Strain Relief (not shown)
1555-D	Plastic Handle	1555-X	Return Spring Screw Only (not shown)
1555-E	Depth Gauge	1555-Z	Power Cord (not shown)
1555-F	Blade Guard	1810-J	Blade Guard Spring
1555-G	Three-Arm Knob	1812-O	Blade Spacer
1555-K	Brush Set (2 - not shown)	1812-P	Blade Clamp
1555-L	Handle Fastener Set (4)	1812-Q	Blade Screw
1555-M1	Guide Washer & Fastener Set (8)	1812-R	Allen® Wrench
1555-N	Housing Fastener Set (4)		
1555-O	Set Screw		
1555-P	Snap Ring		

LIMITED WARRANTY

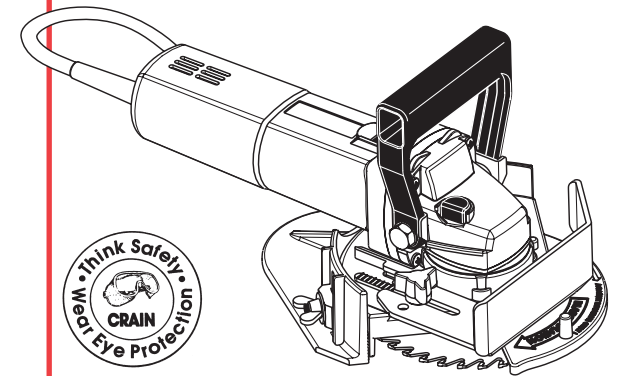
Crain warrants this saw to be free of defects in workmanship and quality of materials under normal use for a period of six months from the date of purchase. Not covered is the motor or motor brushes. Burnt motors or worn-out brushes will be repaired at a charge.

Any parts of this saw found defective subject to the guarantee will be replaced at no charge. Credit in full or part can not be extended by the distributor, nor will a new saw be given as a replacement or loaner.

Saws subject to this warranty must be accompanied by the same, and returned freight PREPAID to Milpitas, CA, and must be in assembled condition.

DATE OF MFG. _____

INSTRUCTION MANUAL FOR



CRAIN

No. 545 MULTI-UNDERCUT SAW

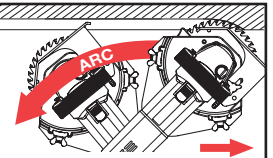
⚠ WARNINGS:

KICKBACK HAZARDS:

- THIS SAW PLUNGE-STARTS. PLUNGE SLOWLY BEFORE PUSHING FORWARD!
- KEEP RPMs HIGH. DON'T FORCE THE SAW, ESPECIALLY WHEN NAILS MAY BE PRESENT. DO NOT OVERHEAT.
- HEIGHT ADJUSTMENT: KEEP THE BLADE HOUSING FLAT ON LEVEL FLOORS, AND KEEP BLADE PARALLEL TO THE FLOOR AT ALL TIMES.
- ALWAYS PUSH SAW AGAINST BLADE ROTATION. NEVER PULL TOWARDS YOU OR RUN IN REVERSE.

SAFE OPERATING POSITION:
KEEP KNEES AND OTHER BODY PARTS OUT OF KICK BACK ARC.

KNEEL TO THE SIDE!
DO NOT USE STANDING UP!



CUTTING DIRECTION

SAFETY FIRST

This Multi-Undercut Saw is designed for undercutting affixed wooden door jambs, moldings, or base, to allow new floor coverings to be fit underneath. Do not use this saw for sanding floors, cutting metal, or any other purpose not described in this instruction manual. Please read all instructions.

HANDLES: Keep both hands on the handles until the blade stops.

KICKBACK HAZARDS: While cutting, do not force the saw. Also, keep the housing flat on the floor and the blade parallel to the floor at all times. Angling may cause powerful, dangerous kickback. Keep the saw RPMs high. Using a dull blade will place a heavy load on your saw and increase the danger of kickback. Use only Crain replacement blades.

EYE & EAR PROTECTION: Always wear safety glasses when using a power tool. Wear ear plugs when using this saw.

BLADE GUARD: The blade guard attached to your saw is for your safety and protection. If it becomes damaged, do not operate your saw until it has been repaired. Always leave blade guard in operating position when using the saw.

DOUBLE-INSULATED: This tool is constructed with two separate layers of electrical insulation. A tool built with this insulation system does not need to be grounded.

DANGEROUS ENVIRONMENTS: Keep work area clean; clutter invites accidents. Do not use the saw on damp or wet floors. Be sure that there is good lighting. This saw may throw sparks. Make certain that flammable materials, especially explosive vapors, are not present. Use a face or dust mask if the cutting operation creates dust.

ACCIDENTAL STARTS: Do not carry with fingers on switch or while plugged in. When carrying, blade must be stopped.

CORD ABUSE: Never carry the saw by the cord or yank the cord to disconnect from an outlet. Keep cords away from heat, oil, and sharp edges.

EXTENSION CORD: To minimize power loss and prevent overheating, use maximum of 25 feet long and 16 AWG.

HAIR & CLOTHING: Keep all loose hair and clothing away from the spinning blade at all times.

WORKING TERMINOLOGY: Figure 1

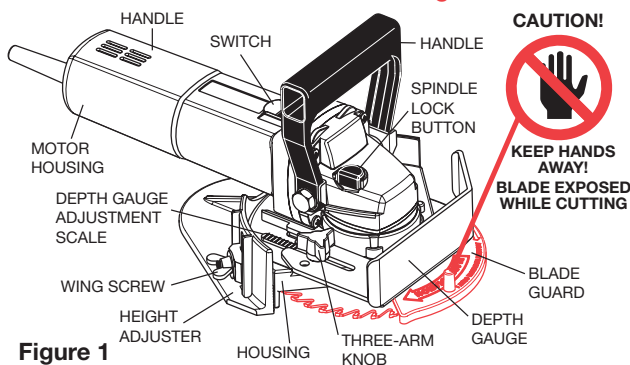
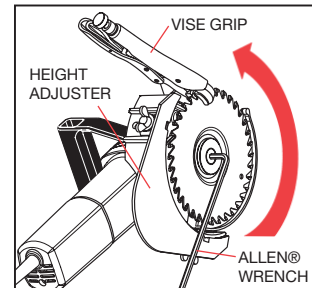


Figure 1

BLADE REMOVAL: see Figure 2

- Switch off and unplug saw, with blade stopped.
- Retract the height adjuster flush with the base to allow clearance for the Allen® wrench.
- Push the lock button down with one hand and insert the Allen® wrench into the blade screw with other hand, then turn until the spindle engages with the lock button (blade stops rotating).



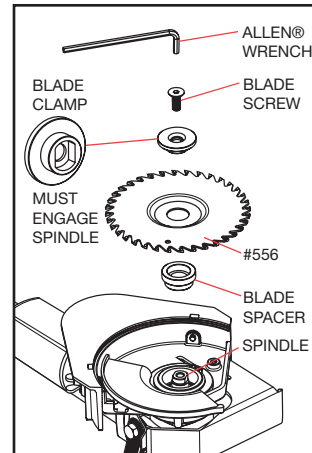
UNPLUG THE SAW. REMOVE ALLEN® WRENCH BEFORE STARTING.

Figure 2

- Hold onto the plastic housing; then, push hard on the Allen® wrench counter-clockwise to open. If the blade is very hard to remove, use a vise grip to hold the blade.

BLADE INSTALLATION: see Figure 3

- Switch off and unplug saw, with blade stopped.
- Place the blade spacer over the spindle.
- Place the saw blade on top of the blade spacer.
- Place the blade clamp through the arbor hole of the blade with the bottom slot of the blade clamp properly aligned with the spindle.
- Screw in and re-tighten the blade screw. Push in the spindle lock button to tighten. Be sure to tighten firmly before use.



UNPLUG THE SAW. REMOVE ALLEN® WRENCH BEFORE STARTING.

Figure 3

HEIGHT ADJUSTMENT: see Figure 4

- Switch off and unplug the saw. Blade must be stopped.
- Loosen two wing screws on height adjuster about 1-1/2 to 2 turns. Do not back off the wing screws more than necessary.
- Adjust the height of your blade by moving the height adjuster up or down until desired height of cut is achieved. The inside of the height adjuster has 10 reference lines, in height increments of 3/32" (.093" - one blade thickness).
- Use the reference lines as a guide (Fig. 4). The housing must be set parallel to the floor. Make certain that the bottom edge of the housing is set parallel with a

reference line. This is critical for safety and straight undercutting. The maximum height adjustment is 1".

- Re-tighten the wing screws before use.

DEPTH ADJUSTMENT:

- Switch off and unplug the saw. Blade must be stopped.
- The depth adjuster accurately controls depth of cut from either straight-on (Figure 5) or a 45° angle (Figure 6).
- To adjust, loosen the three-arm knob on the depth gauge and move the depth gauge in and out as required (Figure 7).

- A depth gauge adjustment scale is provided just behind the three arm knob with nine 1/8" increments (Figure 7).

- Re-tighten the three-arm knob firmly before use.

- We recommend that you set the depth of cut to no more than 1/2" to minimize the chance of hitting wall studs or nails, etc.

- Remove the depth gauge when cutting inside corners.

USING THE SAW:

- Make sure the blade screw and handle screws are tightened securely. Make sure blade is parallel with the floor.

- Keep handle in vertical position for general undercutting.

- Turn the handle away from the toe kick for undercutting toe spaces (see Figure 8).

- Plug-in the saw; hold firmly and push the switch forward to turn the power unit ON.

- To start a cut, use the wall to push the blade guard back and expose blade. **DO NOT USE YOUR HAND!**

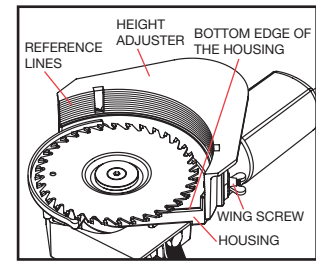


Figure 4

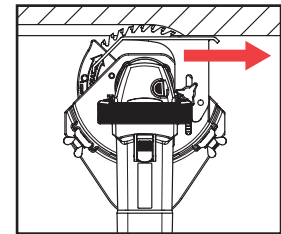


Figure 5

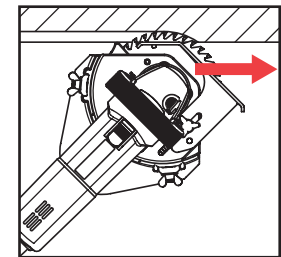


Figure 6

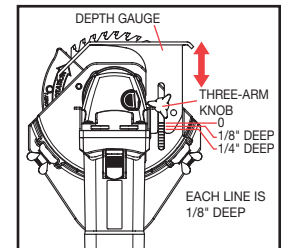


Figure 7

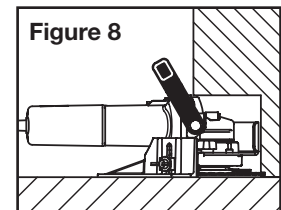


Figure 8