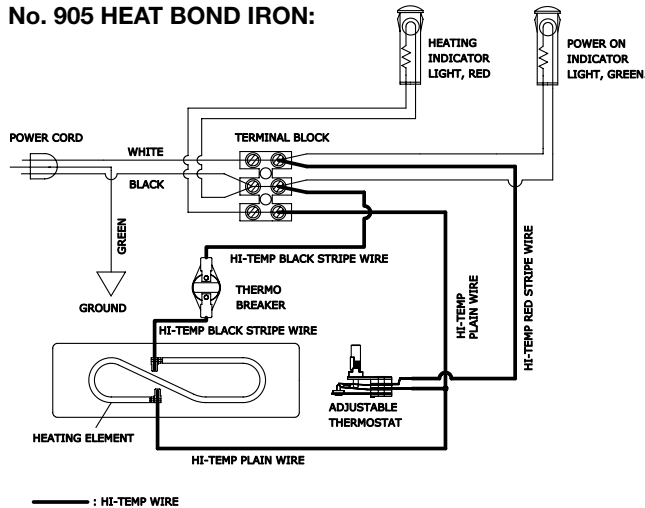


No. 905 Heat Bond Iron Replacement Parts

Order #	Description
903	3" Universal Iron Tray
1905-10	Sole Plate
1905-11	Element Cover & Screws
1905-13	Top Cover
1905-14	Thermostat Bracket & Screws
1905-15	Adjustable Thermostat
1905-16	Thermo Breaker
1905-20	Wiring Harness Set
1905-32	Power Cord Set
1905-50	Handle Set & Screws
1905-52	Swivel & Screws
1905-53	Kapton® Covers (2)
1901-E	Heat Shield and Screws
1901-F	Handle Guide and Screw
1901-G	Insulator Pad
1901-H	Handle Gasket
1901-I	Extension Tube
1901-J	Dial Knob
1920-A	Heating Element
1920-AV	230V Heating Element
1920-I	Power-On Light (Green)
1920-IV	230V Power-On Light (Green)
1920-J	Heating Indicator Light (Red)
1920-JV	230V Heating Indicator Light (Red)
1920-O	Light Holder and Screw
1920-W	Terminal Block

WIRING DIAGRAM:

No. 905 HEAT BOND IRON:



SPECIFICATIONS:

MODEL NO:	905	905V
VOLTAGE:	120 VAC	230 VOLTS-50HZ/60HZ
AMPERAGE:	7 AMPS	3.5 AMPS
WATTAGE:	800 W	800 W
TEMP. RANGE:	FROM 220°F TO 420°F (both 905 & 905V)	

GUARANTEE

This Crain Heat Bond Iron is guaranteed to be free of defects in workmanship or quality of materials for a period of 2 years.

Any parts of tool found defective subject to the guarantee will be replaced at no charge. Credit in full or part cannot be extended by the distributor, nor will new tools be given as replacements or loaners.

Tools subject to this warranty must be accompanied by the same, and returned freight PREPAID to Milpitas, CA, and must be in assembled condition.

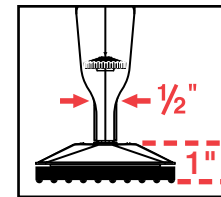
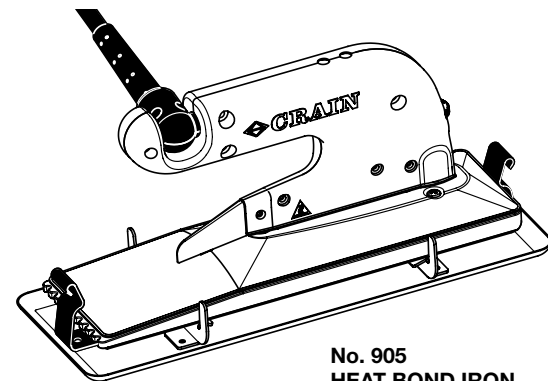
CRAIN CUTTER CO., INC.

1155 WRIGLEY WAY, MILPITAS, CA 95035-5426
TEL: 408-946-6100 FAX: 408-946-4268

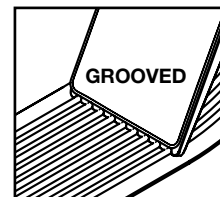
Printed by: HF

FORM F1905-03/2012

INSTRUCTION MANUAL FOR



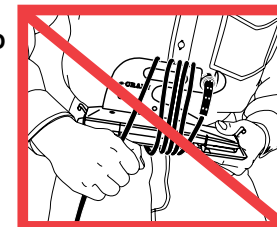
LOW PROFILE



ANGLE-OUT TIP

WARNING - CORD ABUSE

DON'T WRAP CORD TIGHTLY AROUND IRON



DON'T YANK CORD FROM ELECTRICAL SOCKET

KEEP GLUE OFF IRON CORD

DON'T REMOVE GROUND TERMINAL

ELECTRIC SHOCK & FIRE HAZARD



CRAIN

No. 905 HEAT BOND IRON (120 V) Ⓢ

No. 905V HEAT BOND IRON (230 V) Ⓒ

IMPORTANT SAFEGUARDS

When using your iron, basic safety precautions should always be observed, including the following:

- Please read all instructions.
- To protect against a risk of electric shock, do not immerse the iron in water or other liquids.
- The iron should always be turned to OFF before plugging or unplugging from outlet. Never yank the cord to disconnect from the outlet; instead, grasp the plug and pull to disconnect.
- Do not allow the cord to touch hot surfaces. Let the iron cool completely before putting away.
- Loop cord loosely around iron handle when storing. Do not operate the iron with a damaged cord, or if the iron has been dropped and damaged. To avoid the risk of electric shock, do not disassemble the iron. Take it to an authorized dealer or send it back to Crain for examination and repair. Incorrect reassembly can cause a risk of electric shock.
- Close supervision is necessary for any appliance being used near children. Do not leave the iron unattended.
- Burns can occur from touching hot metal parts.
- This product is intended for use with carpet seaming tapes ONLY.
- The appliance is not to be used by children or persons with reduced physical, sensory or mental capabilities, or lack of experience and knowledge, unless they have been given supervision or instruction.
- The iron must not be left unattended while it is connected to the supply mains (plugged-in to power).
- When placing the iron on its stand, ensure that the surface on which the stand is placed is stable.

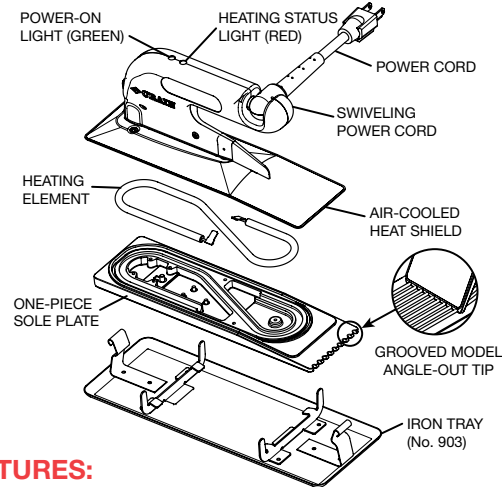
SPECIAL INSTRUCTIONS:

- This is an 800-watt appliance. To avoid a circuit overload, do not operate another high wattage appliance on the same circuit.
- This iron has a three-prong, grounded plug. It should be plugged into three-hole outlets. If an adapter is used to accommodate a two-prong outlet, the adapter wire must be attached to a known ground. NEVER remove ground terminal from a three-prong plug.
- If an extension cord is absolutely necessary, a 10-ampere cord should be used. Cords rated for less

amperage may overheat, causing slow heating of the iron. Care should be taken to arrange the cord so that it cannot be pulled on or tripped over.

- DO NOT IMMERSE IN WATER!

SAVE THESE INSTRUCTIONS



FEATURES:

Teflon® Coated Sole Plate: The sole plate is Teflon® coated for easy cleaning.

Heating Element: Uses an “S”-shaped heating element, creating more uniform heat throughout the sole plate.

Air-Cooled Heat Shield: At maximum heat setting, the heat shield stays remarkably cool, at only 260°F. At this temperature, the heat shield is still hot enough to preheat the carpet's backing to accept the hot melt adhesive.

Dual Indicator Lights: Situated on top of the handle, the lights are easy to read and show both “power-on” and “heating status”.

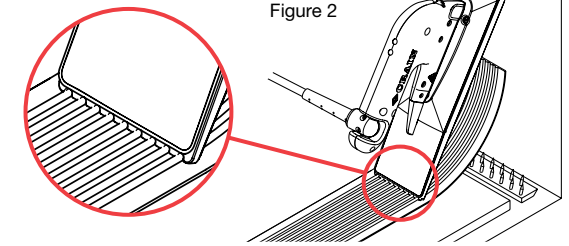
- **Power-On Light:** Green indicator light, glows when the iron is plugged into an electric outlet and is in use. If the Temperature Dial Knob is turned Off, the light will continue to glow as long as the iron is plugged in.

- **Heating Status Light:** Red indicator light, which glows during the heat-up period, and then turns-off when the maximum temperature is reached. While operating, the light will continue going on and off whenever the iron is reheating itself.

Temperature Dial Knob: Situated on top of the handle, it is easy to read. There are four temperature settings, ranging from 220°F to 420°F.

Table Of Settings: Dial knob position corresponds to: #1 = 220°F #2 = 290°F #3 = 360°F #4 = 420°F

ANGLE-OUT TIP



Angle-Out Tip: The sole plate has an angle-out tip at the back, this feature will prevent “dragging-off” the hot melt adhesive, especially in doorway situations where the iron is removed by angling it up and out.

12' Power Cord: The cord is long enough for most average rooms without using an extension cord.

Swiveling Power Cord: Positions the cord to the left or the right to keep it out of the working area behind the iron.

USING THE IRON:

Set the temperature dial knob to its highest setting (#4). Once the iron has heated, adjust the temperature down to a safe temperature for the kind of carpet and ambient temperature where you're installing. Be careful not to overheat carpets with synthetic backings or yarns, as shrinking and discoloration may result. If iron is running too cool, a weak seam may result. A test seam is often a good idea.

When the proper temperature has been selected, place the iron between the carpet edges, and on top of the seaming tape. When the adhesive is thoroughly melted, move the iron and press the carpet's backing into the adhesive.

Operating speed varies, depending on carpet construction and ambient temperature. At maximum temperature, the iron should seam at 3 to 4 feet per minute.

IRON MAINTENANCE:

Keep your iron clean, preventing residual glue build-up. Excessive build-up can cause malfunction of internal mechanisms, undesirable smoke and odor, or fire.

The sole plate of your iron is coated with a self-cleaning Teflon® material. Do not use a metal iron cleaning device or any sharp object to remove old adhesive. To remove old adhesive, let the iron cool completely, and peel off adhesive by hand. Another method of removing adhesive is to place the hot iron on a piece of seam tape, then turning the iron off. Let the iron cool on top of the seam tape. After the iron has cooled, peel the tape off the base of the iron. This removes all adhesive from the base quickly and easily.