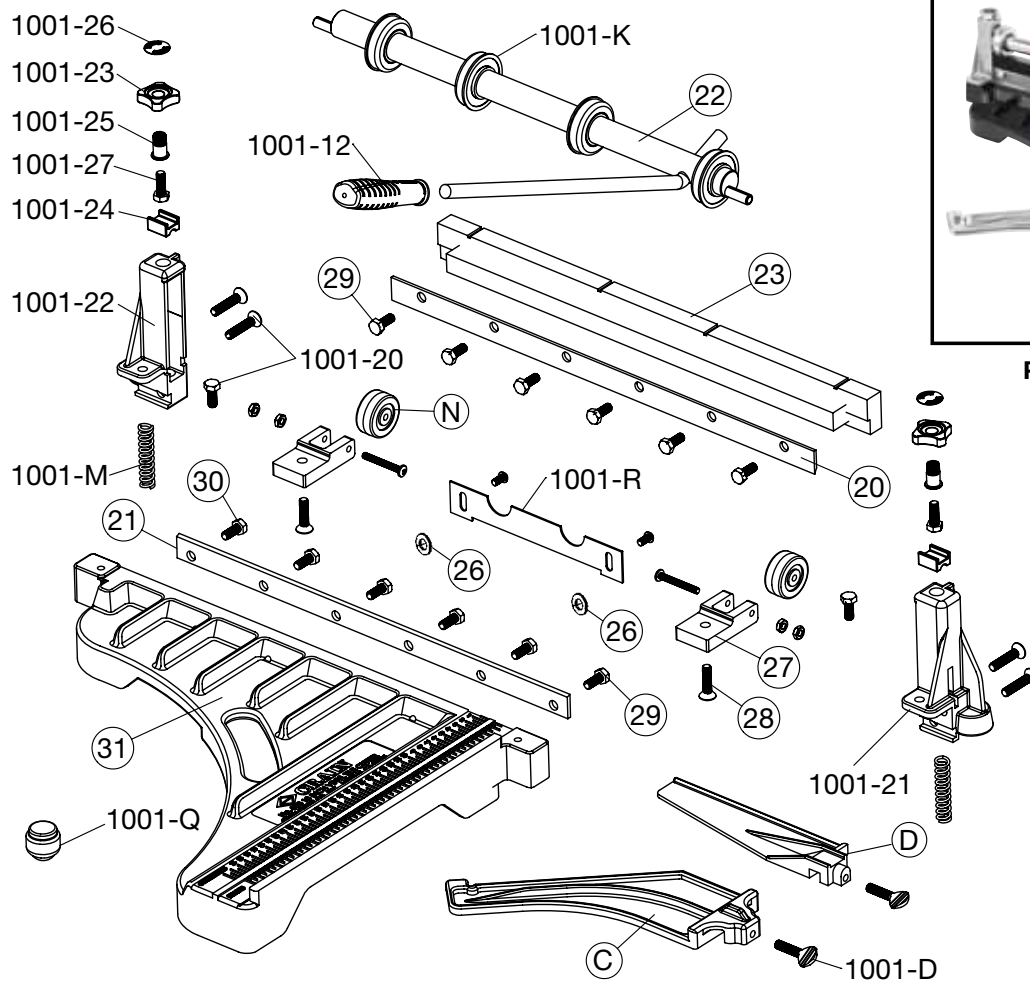


No. 008 18" Tile Cutter



Painted black base

NO. 008 18" TILE CUTTER PAINTED BLACK BASE

Order No.	Description
1008-20	Top Blade
1008-21	Bottom Blade
1008-22	Crankshaft Handle & Grip
1008-23	Blade Carrier
1008-26	Floor Guide Spacers (2)
1008-27	Wheel Bracket (1 each)
1008-28	Wheel Bracket Screw
1008-29	Blade Screw Set (12)
1008-30	Blade Screw (1 only)
1008-31	Base Casting
1008-C	Diag. Cut Guide & Screw
1008-D	Straight Cut Guide & Screw
1008-N	Roller Wheel & Fasteners

PARTS COMMON TO NO. 001:

1001-12	Handle Grip Only
1001-20	Standard Screw Set (3X)
1001-21	Right Hand Standard
1001-22	Left Hand Standard
1001-23	Dial Knob (1 each)
1001-24	Cam Bearing (1 each)
1001-25	Threaded Bushing (1 each)
1001-26	Knob Label (1 each)
1001-27	Bushing Screw (1 each)
1001-D	Tile Guide Wing Screw (1 each)
1001-K	Crankshaft Ball Bearing (1 each)
1001-M	Return Spring (1 each)
1001-Q	Ball Caster Only
1001-R	Floor Guide & Screws (2)