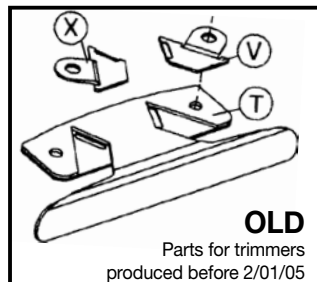
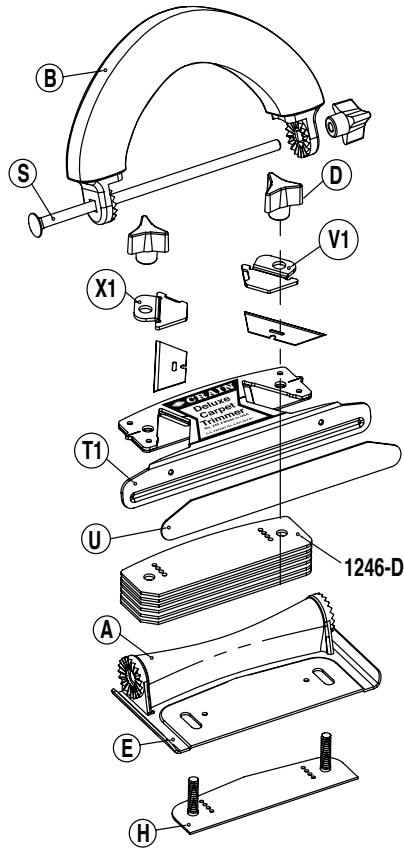


No. 245 Carpet Trimmers (Dimple Blade Holders)



Old - Produced before 02-01-05



New - Produced after 02-01-05

NO. 245 CARPET TRIMMERS (DIMPLE BLADE HOLDERS)

Order No.	Description
1245-A	Mounting Bracket with Screws (2)
1245-B	Ratchet Handle
1245-D	3 Arm Knob Set (3)
1245-E*	Base with Screws (2)
1245-H*	False Bottom
1245-S	Carriage Bolt
1245-T	OLD Wall Runner - Discontinued***
1245-T1**	NEW Wall Runner
1245-U*	NEW Runner Pad
1245-V	OLD Blade Clamp, Right
1245-V1**	NEW Blade Clamp, Right
1245-X	OLD Blade Clamp, Left
1245-X1**	NEW Blade Clamp, Left
1246-D	Universal Shim Set (6)

*Same for No. 246 produced between 10/1/00 - 10/10/04

**For Trimmers produced after 2/01/05

***To replace, order 1245-T1, X1, V1