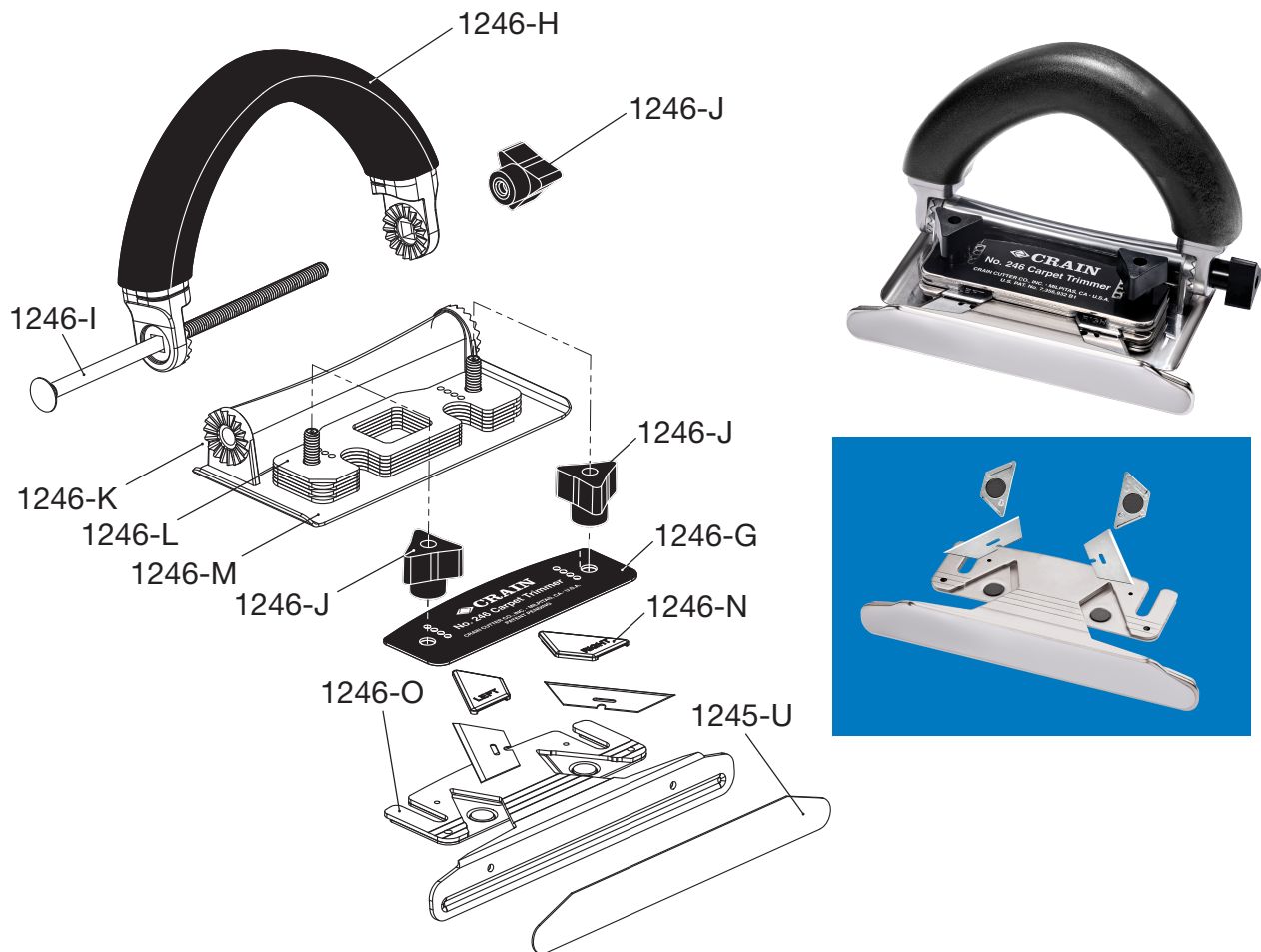


No. 246 Carpet Trimmer

Produced after February 1st, 2025



**No. 246 CARPET TRIMMER
BLACK KNOBS & MAGNETS**

Order No.	Description
1246-G	Cover Plate
1246-H	Ratchet Handle
1246-I	Carriage Bolt
1246-J	Three Arm Knob (1 Only)
1246-K	Handle Bracket & Screws
1246-L	Universal Shim Set
1246-M	Base w/ Posts (2) & Screws (2)
1246-N	Blade Clamp Set (2)
1246-O	Wall Runner
PARTS COMMON WITH THE No. 245	
1245-U	Runner Pad