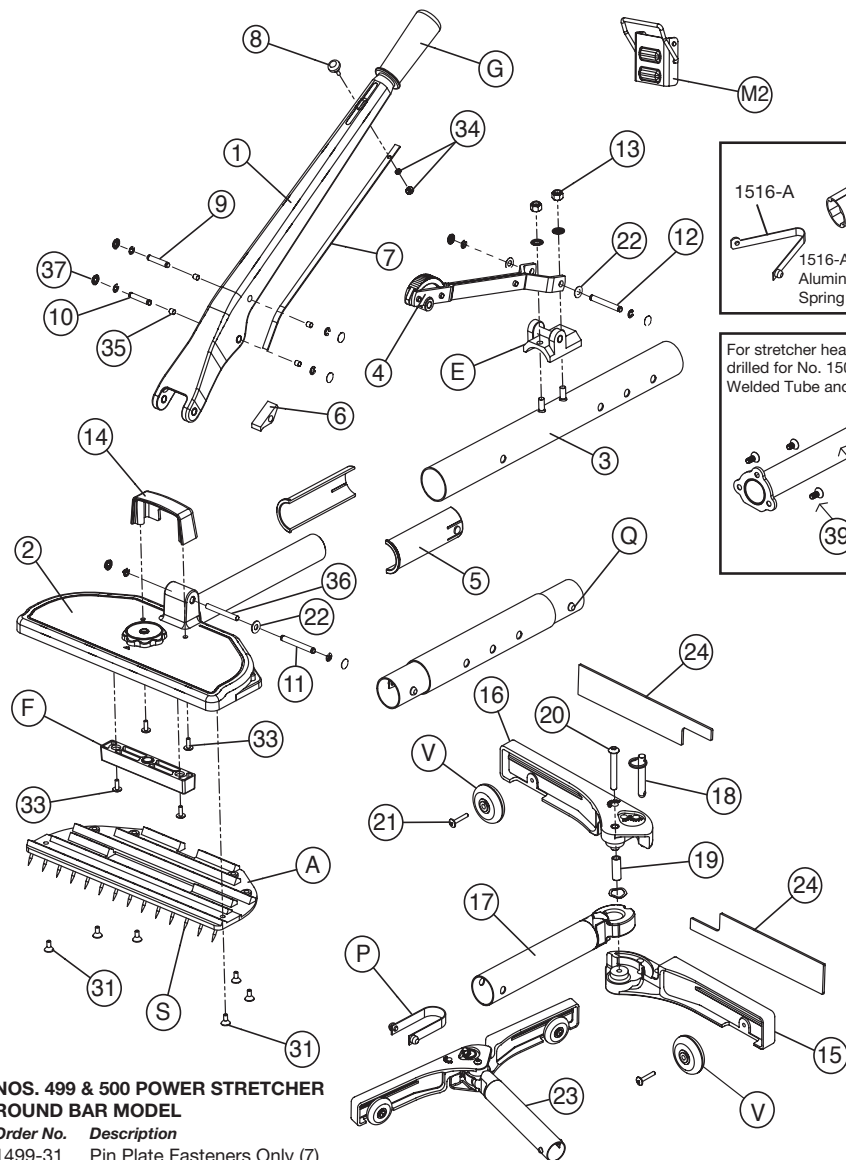


Nos. 499 & 500 Power Stretchers - Round Bar Model

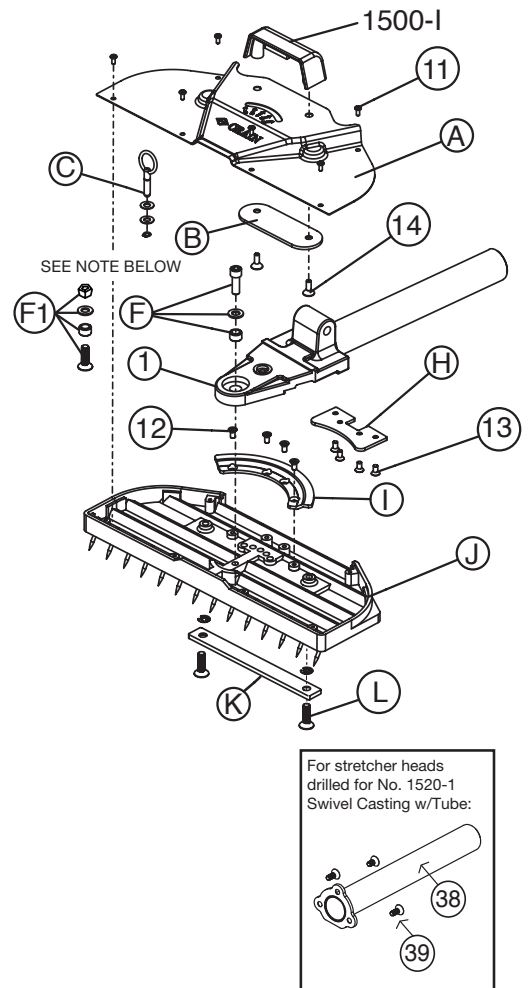


NOS. 499 & 500 POWER STRETCHER ROUND BAR MODEL

Order No.	Description
1499-31	Pin Plate Fasteners Only (7)
1500-1	Handle
1500-2	Head, Tube & Adjusting Knob Assy
1500-3	Thruster Tube w/Studs
1500-4	Ratchet and Thruster Assembly
1500-5	Nylon Bearing Set
1500-6	Dog
1500-7	Lock Spring
1500-8	Lock Button w/Fasteners (3)
1500-9	Dog Pin w/Fasteners (4)
1500-10	Ratchet Pin w/Fasteners (4)
1500-11	Handle Pin w/Fasteners (4)
1500-12	Saddle Pin w/Fasteners (4)
1500-13**	Saddle Fasteners Only (4)
1500-14	Lifting Handle w/Fasteners (2)
1500-15	Tail Block Right Half
1500-16	Tail Block Left Half
1500-17	Tail Block Pivot Tube
1500-18	Tail Block Lock Pin
1500-19	Tail Block Bushing
1500-20	Tail Block Cap Screw
1500-21*	Tail Block Wheel Fasteners (2)
1500-22	Brass Washer
1500-23	Folding Tail Block Complete
1500-24	Folding Tail Block Repl. Pads (2)

Order No.	Description
1500-33	1/4-20 x 1/2" Truss Head Screws (2)
1500-34	Lock Button Fasteners Only (2)
1500-35	Handle Bushing Set (4)
1500-36	Head Bushing Only
1500-37	Pin Clip & Cap Set (4)
1500-38	Welded Tube and Flange
1500-39	Welded Tube Screws Only (3)
1375-G	Handle Grip Only
1499-M2	NEW Wide Metal Latch Set (2)
1500-A	Pin Plate w/Screws (7)
1500-E**	Saddle Casting & Fasteners (4)
1500-F	Depth Bar w/Screws (2)
1500-P	Spring Clip
1500-Q	2 Piece Transfer Tube
1500-S	Pin Plate Pins (10)
1500-U	DRIVING HEAD COMPLETE
1500-V*	Wheels Set (2) & Screws (4)
1516-A	Aluminum Tube Spring Clip

*To completely replace wheels (2), both 1500-21 and 1500-V are needed. **1500-13 & 1500-E do not come with studs. Must be factory assembled on 1500-3. 1500-E comes w/ fasteners for both new & old style stretchers.



NO. 520 SWIVEL-LOCK STRETCHER ROUND BAR MODEL

Order No.	Description
1500-I	NEW Lifting Handle & Screws (2)
1500-38	Welded Tube and Flange
1500-39	Welded Tube Screws Only (3)
1520-A	Top Cover w/Screws (6)
1520-B	Handle Support w/Screws (2)
1520-C	Lock Pin Assembly (5 pcs.)
1520-F*	Bushing and Fasteners Set (3)
1520-F1*	Bushing and Fasteners Set (4)
1520-H	Swivel Support w/Screws (4)
1520-I	Swivel Strap w/Screws (4)
1520-J	Pin Plate
1520-K	Depth Bar
1520-L	Depth Bar Fasteners Set (4)
1520-Z	SWIVEL DRIVING HEAD COMPLETE
1520-1	Swivel Casting Plate w/Tube
1520-11	Top Cover Fasteners Only (6)
1520-12	Swivel Strap Fasteners Only (4)
1520-13	Swivel Support Fasteners Only (4)
1520-14	Handle Support Fasteners Only (2)

See the No. 500 parts list for unlisted No. 520 parts which are common to the No. 500.

*NOTE: Order Part No. 1520-F for Part No. 1520-J Pin Plate with regular hole in the bottom of the pin plate, or Part No. 1520-F1 for countersunk hole in the bottom.