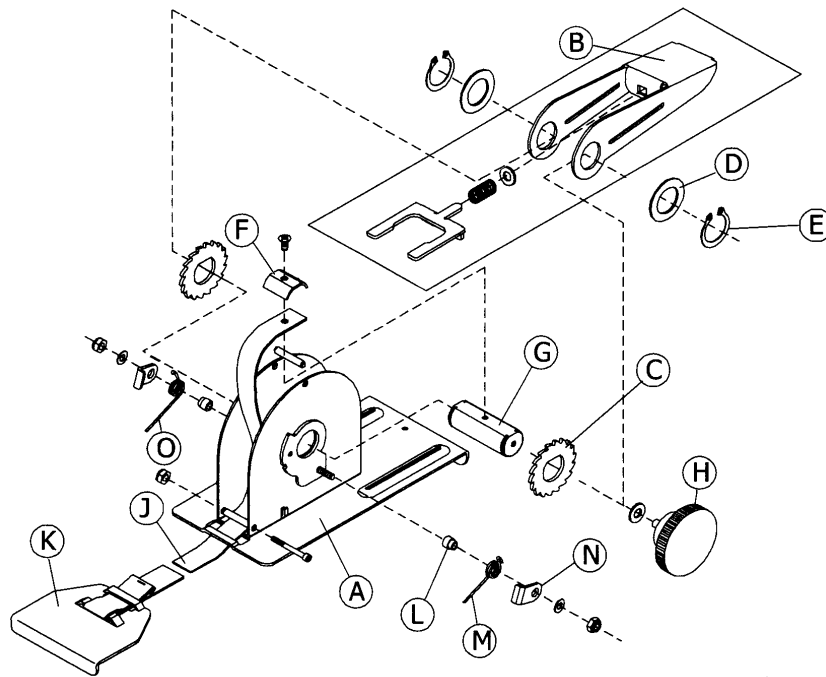


**No. 565 18' Strap Clamp****NO. 565 18' STRAP CLAMP**

<b>Order No.</b>	<b>Description</b>
1565-A	Bracket Assembly
1565-B	Handle Assembly
1565-C	Ratchet Wheels (2)
1565-D	Washer Set (2)
1565-E	Snap Ring Set (2)
1565-F	Strap Holder & Screw
1565-G	Axle
1565-H	Speed Rewind Knob
1565-J	18' Strap
1565-K	Hook
1565-L	Locker Bushing Nut Set (3)
1565-M	Torsion Spring (Silver)
1565-N	Locker
1565-O*	Torsion Spring (Black)

\* For strap clamps produced after 1/1/2001