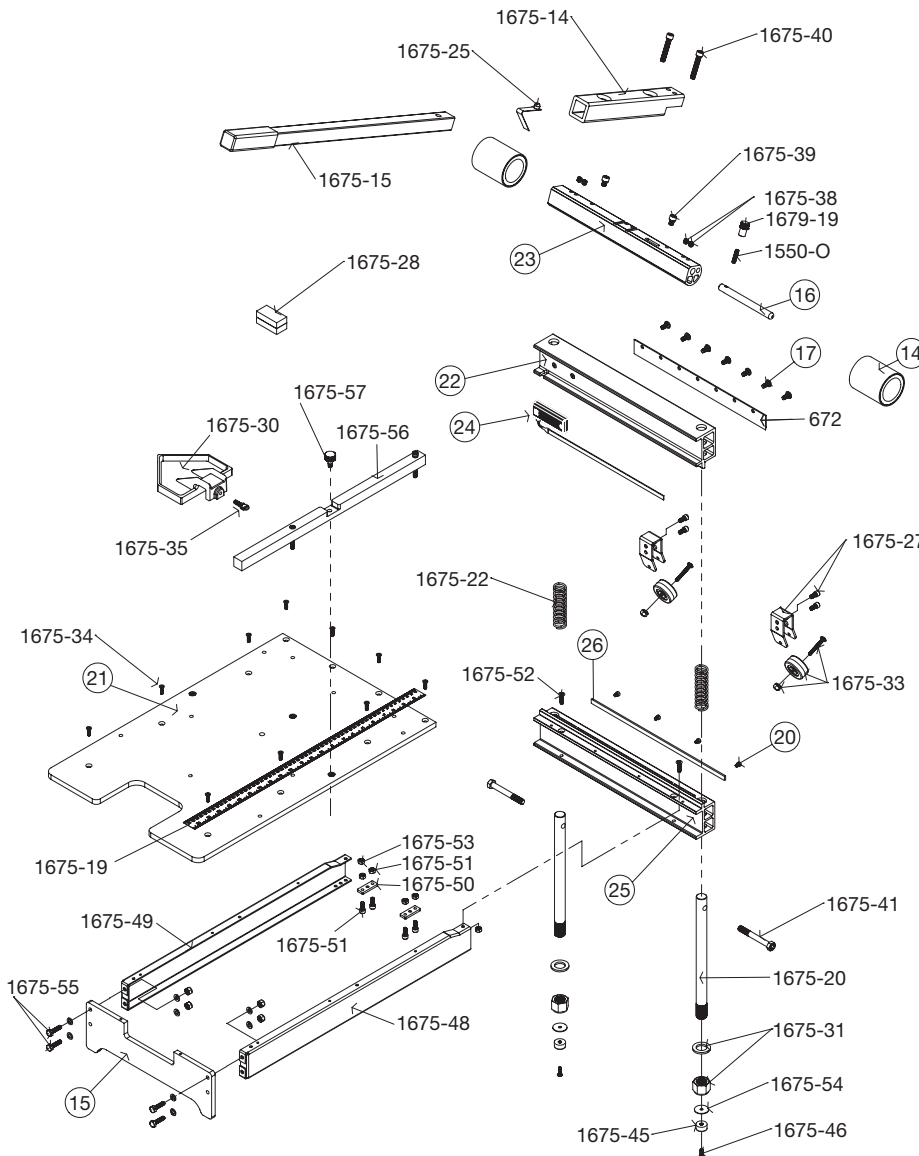


No. 673 14" Wood Cutter



Order #	Description
1673-14	Pressure Roller (1 only)
1673-15	Rear Stand
1673-16	Safety Lock Bar
1673-17	Blade Screw Set (7)
1673-20	Nylon Strip Fasteners (4)
1673-21	Bed for 14" Cutter
1673-22	Blade Carrier for 14" Cutter
1673-23	Crankshaft for 14" Cutter
1673-24	Table Light for 14" Cutter
1673-25	Bottom Bar & Nylon Strip 14"
1673-26	Nylon Strip Only 14" Cutter
672	14" Blade
Parts common to the No. 675	
1675-14	Connector Tube
1675-15	Leverage Handle
1675-19	Ruler Label
1675-20	Guide Rod (1 only)
1675-22	Compression Spring Set (2)
1675-25	Spring Clip
1675-27	Wheel Bracket (1) & Fast. (2)
1675-28	Blade Sharpening Stone
1675-30	Cut Guide
1675-31	Adjustment Nut & Washer
1675-33	Roller Wheel & Fasteners (2)
1675-34	Bed Fastener Set (13)
1675-35	Cut Guide Thumb Screw
1675-38	Crankshaft Set Screws (4)
1675-39	Pressure Roller Set Screws (2)
1675-40	Connector Tube Screws (2)
1675-41	Crankshaft Pivot Bolts (2)
1675-45	Guide Rod Foot (1)
1675-46	Guide Rod Foot Screw (1)
1675-48	Right Table Support
1675-49	Left Table Support
1675-50	Table Support Doubler
1675-51	Doubler Fasteners (4)
1675-52	Table Support Flat Head Screws (2)
1675-53	Table Support Hex Nuts (2)
1675-54	Fender Washer
1675-55	Rear Stand Fasteners (8)
1675-56	Fence & Thumb Screw
1675-57	Fence Thumb Screw & Snap Ring
1679-19	Safety Lock Thumb Screw
1555-O	Set Screw (Safety Lock Bar)